



Price\* : 170.00 USD



## Main

Range of product	OsiSense XM
Product or component type	Electronic pressure sensors
Device short name	ZMLP

## Complementary

Display range	-14.5...6000
[Us] rated supply voltage	24 V DC SELV, voltage limit: 17...33 V
Current consumption	<= 50 mA
Electrical connection	M12 female connector with 2 pins M12 male connector with 4 pins
Type of output signal	Analogue + discrete
Analogue output function	4...20 mA
Discrete output type	NPN solid state - NO/NC programmable
Switching function	Hysteresis
Maximum switching current	200 mA
Voltage drop	<= 2 V
Adjustable range of switching point on rising pressure	5...98 % of selected display range
Adjustable range of switching point on falling pressure	2...95 % of selected display range
Minimum differential travel	3 % of selected display range
Marking	CE
Front material	Polyester
Housing material	PBT Valox
Operating position	Any position
Protection type	Overload protection Overvoltage protection

Disclaimer: This documentation is not intended as a substitute for and is not to be used for determining suitability or reliability of these products for specific user applications

	Reverse polarity Short-circuit protection
Response time on output	<= 3 ms analog output <= 3 ms discrete output
Display type	4 digits 7 segments
Local signalling	1 LED yellow light ON when switch is actuated
Response time	300 ms
Delay first up	<= 100 ms
Accuracy	<= - 0.1 % of the measuring range
Measurement accuracy	<= 1 % of the measuring range
Display accuracy	<= 1 % of the measuring range
Mechanical durability	>= 10000000 cycles
Depth	1.65 in (42 mm)
Height	3.03 in (77 mm)
Width	1.61 in (41 mm)
Product weight	0.23 lb(US) (0.103 kg)
[Uimp] rated impulse withstand voltage	0.5 kV DC

## Environment

Product certifications	CULus EAC
Standards	EN/IEC 61000-6-2 EN/IEC 61000-6-4 UL 508
Ambient air temperature for operation	-13...158 °F (-25...70 °C)
Ambient air temperature for storage	-22...176 °F (-30...80 °C)
IP degree of protection	IP65 conforming to EN/IEC 60529 IP67 conforming to EN/IEC 60529 IP69K conforming to DIN 40050
Vibration resistance	5 gn at 10...2000 Hz conforming to EN/IEC 60068-2-6
Shock resistance	25 gn conforming to EN/IEC 60068-2-27
Electromagnetic compatibility	Immunity to conducted RF disturbances at 10 V, 0.15...80 MHz conforming to EN/IEC 61000-4-6 Surge immunity test at 1 kV conforming to EN/IEC 61000-4-5 Electrical fast transient/burst immunity test at 2 kV conforming to EN/IEC 61000-4-4 Susceptibility to electromagnetic fields at 10 V/m, 80...2000 MHz conforming to EN/IEC 61000-4-3 Electrostatic discharge immunity test at 8 kV air, 4 kV contact conforming to EN/IEC 61000-4-2

## Ordering and shipping details

Category	22661 - XMLA,B,C,D PRESSURE SWITCHES
Discount Schedule	DS2
GTIN	00785901902263
Nbr. of units in pkg.	1
Package weight(Lbs)	0.23000000000000001
Returnability	N
Country of origin	FR

## Offer Sustainability

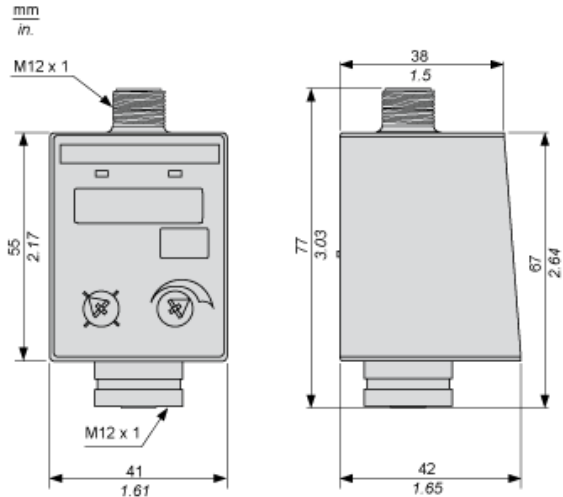
Sustainable offer status	Green Premium product
RoHS (date code: YYWW)	Compliant - since 1406 - Schneider Electric declaration of conformity <a href="#">Schneider Electric declaration of conformity</a>
REACH	Reference not containing SVHC above the threshold <a href="#">Reference not containing SVHC above the threshold</a>
Product environmental profile	Available
Product end of life instructions	Available
California proposition 65	WARNING: This product can expose you to chemicals including:

---

----- Substance 1	Diisononyl phthalate (DINP), which is known to the State of California to cause cancer, and
----- Substance 2	Di-isodecyl phthalate (DIDP), which is known to the State of California to cause birth defects or other reproductive harm.
----- More information	For more information go to <a href="http://www.p65warnings.ca.gov">www.p65warnings.ca.gov</a>

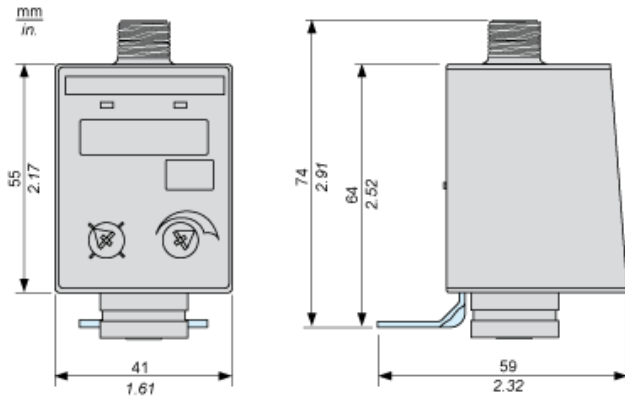
---

Dimensions



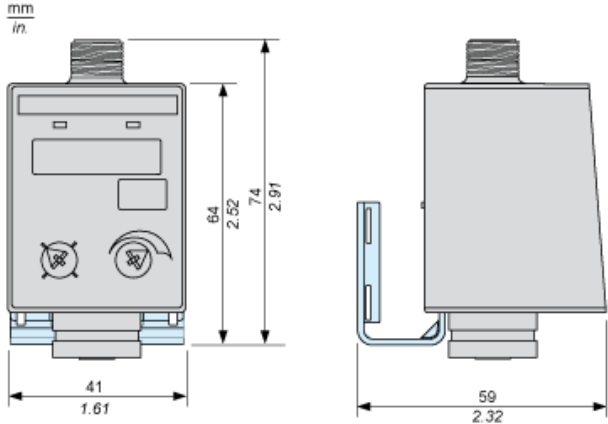
Dimensions

Switch with Metal Bracket for Fixing Horizontally



Dimensions

Switch with Metal Bracket for Fixing Vertically or on an Inlet Pipe

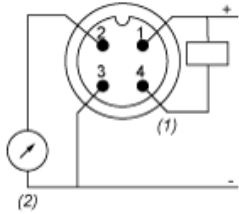


---

## Connections and Schema

---

### Output M12 Male Connector Wiring



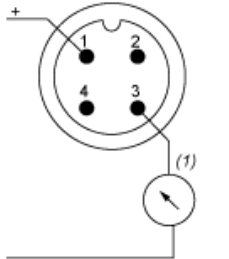
- (1) Out
- (2) I Out

---

Connections and Schema

---

Input M12 Female Connector Wiring



(1)  $I_{in} = 4-20 \text{ mA}$

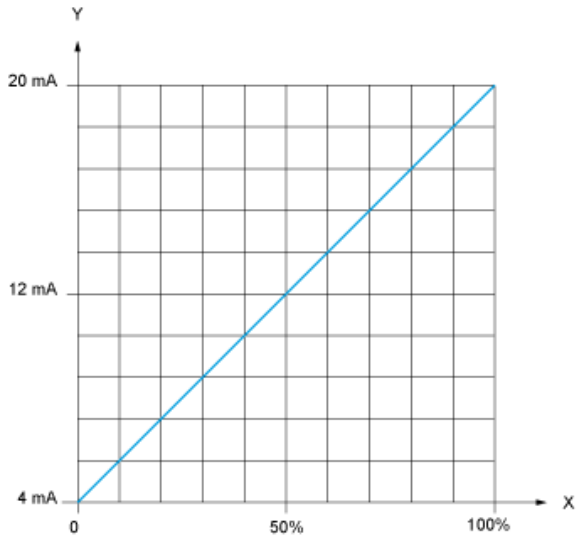


---

Analog Output Description

---

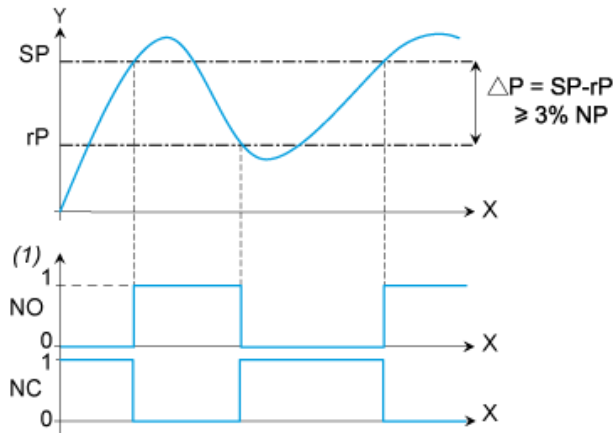
The 4...20 mA analog output is strictly the image of the pressure transmitter output signal.



X : Pressure  
Y : Analog output signal

## Switching Output Description. Hysteresis Mode

The hysteresis switching mode is typically used for the pumping applications.



X : Time  
Y : Pressure  
(1) : Output  
NP : Nominal Pressure  
SP : Set point (adjustable from 5 % to 98 % NP)  
rP : Reset point (adjustable from 2 % to 95 % NP)