

Product data sheet

Characteristics

XUYPS1LCO965S

photoelectric sensor - XUY - BGS - laser - Sn 300 mm - 12..24VDC - M8

Product availability : Non-Stock - Not normally stocked in distribution facility

Price* : 708.00 USD



Main

Range of product	OsiSense XU
Series name	Application, materials handling
Electronic sensor type	Photo-electric sensor
Sensor name	XUY
Sensor design	Compact
Detection system	Diffuse with background suppression
Material	Plastic
Type of output signal	Discrete
Supply circuit type	DC
Wiring technique	4-wire
Discrete output type	PNP and NPN
Discrete output function	1 NO or 1 NC programmable
Electrical connection	1 male connector M8, 4 pins
Product specific application	Control of level Detection of components on a printed circuit Monitoring for crack on a component Monitoring of small parts on production machine Suppression of a background
Emission	Red laser, pulsed (class 2), wavelength: 2.6575E-05 in (675 nm)
[Sn] nominal sensing distance	1.97...11.81 in (50...300 mm)

Complementary

Enclosure material	Glass impregnated nylon
Lens material	PMMA
Spot diameter	0 in (0 mm) manual adjustment
Minimum object diameter for detection	0.02 in (0.5 mm)
Output type	Solid state
Status LED	1 LED (green) output state 1 LED (red) time delay active 1 LED (none) NC function 1 LED (red) NO function
[Us] rated supply voltage	12...24 V DC with reverse polarity protection

Supply voltage limits	10...30 V DC
Switching capacity in mA	100 mA (overload and short-circuit protection)
Switching frequency	> 5 kHz
Voltage drop	< 2 V (closed state)
Current consumption	35 mA
Delay response	40 ms output circuit depending on wiring
Delay recovery	150 µs
Setting-up	Manual adjustment of focusing
Product weight	0.18 lb(US) (0.081 kg)

Environment

Product certifications	CE cULus
Ambient air temperature for operation	32...122 °F (0...50 °C)
Ambient air temperature for storage	-4...140 °F (-20...60 °C)
Immunity to ambient light	10000 lux with natural light 500 lux with incandescent bulb
IP degree of protection	IP65 conforming to IEC 60529

Ordering and shipping details

Category	22481 - SENSORS, PHOTOELECTRIC
Discount Schedule	DS2
GTIN	003389119007276
Nbr. of units in pkg.	1
Package weight(Lbs)	0.17999999999999999
Returnability	N
Country of origin	FR

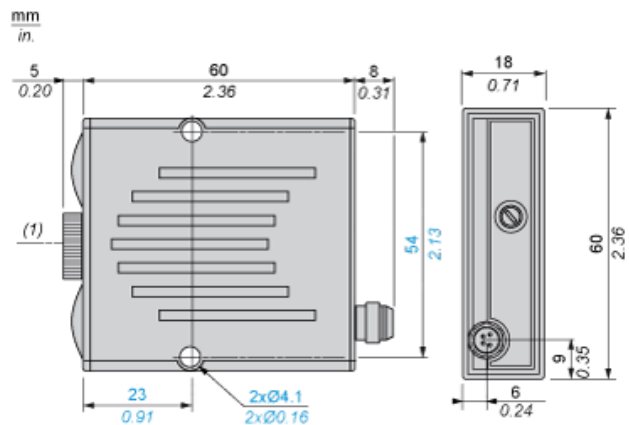
Offer Sustainability

RoHS (date code: YYWW)	Compliant - since 0708 - Schneider Electric declaration of conformity Schneider Electric declaration of conformity
REACH	Reference not containing SVHC above the threshold Reference not containing SVHC above the threshold
California proposition 65	WARNING: This product can expose you to chemicals including:
----- Substance 1	Diisononyl phthalate (DINP), which is known to the State of California to cause cancer, and
----- Substance 2	Di-isodecyl phthalate (DIDP), which is known to the State of California to cause birth defects or other reproductive harm.
----- More information	For more information go to www.p65warnings.ca.gov

Contractual warranty

Warranty period	18 months
-----------------	-----------

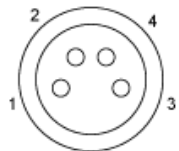
Dimensions



(1) Optical axis of laser

Wiring Schemes

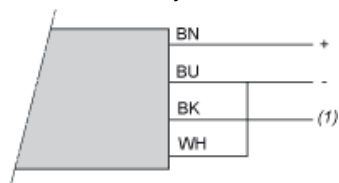
M8 Connector



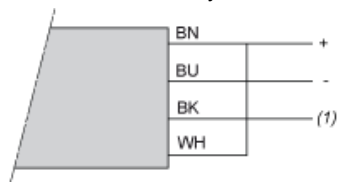
- 1 : Brown
- 2 : White
- 3 : Blue
- 4 : Black

NO Function

Without time delay



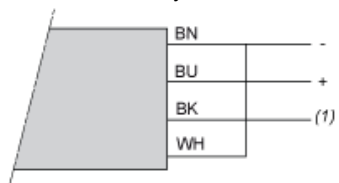
With 40 ms time delay



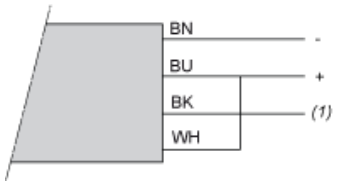
- BN : Brown
- WH : White
- BU : Blue
- BK : Black
- (1) : Output

NC Function

Without time delay



With 40 ms time delay



BN : Brown
WH : White
BU : Blue
BK : Black
(1) Output