

# Product data sheet

## Characteristics

# XURK1KSMM12

photoelectric sensor - diffuse - Sn 9 mm - NO or NC - M12 connector

Product availability : Stock - Normally stocked in distribution facility

Price\*\* : 640.00 USD



### Main

Range of product	OsiSense XU
Series name	Application packaging
Electronic sensor type	Photo-electric sensor
Sensor name	XUR
Sensor design	Compact
Detection system	Diffuse
Emission	Red or green
[Sn] nominal sensing distance	0.35 in (9 mm) spot 1.5 x 5 mm without lens 0.71 in (18 mm) spot 2 x 7 mm need lens XURZ01 0.28 in (7 mm) spot 1 x 4 mm need lens XURZ02
Material	Metal
Switching frequency	<= 10 kHz
Type of output signal	Analogue Discrete
Supply circuit type	DC
Wiring technique	3-wire
Discrete output type	PNP or NPN
Discrete output function	1 NO or 1 NC programmable
Analogue output range	0...5.5 V, DC
Electrical connection	1 male connector M12 adjustable 3 positions, 4 pins
Product specific application	Colour mark
Sale per indivisible quantity	1

### Complementary

Enclosure material	Zinc alloy
Lens material	Glass
Minimum width of mark detected	0.02 in (0.5 mm)
Maximum inclination of reader	20 °
Passing speed of object	32.81 ft/s (10 m/s), minimum detected mark width:0.04 in (1 mm)
Output type	Solid state
Output function governance	Light or dark programmable

Add on output	With analogue output
Status LED	1 LED (red) output state
[Us] rated supply voltage	12...24 V DC with reverse polarity protection
Supply voltage limits	DC
Switching capacity in mA	<= 200 mA (overload and short-circuit protection)
Voltage drop	<= 1 V (closed state), NPN <= 2 V (closed state), PNP
Current consumption	<= 80 mA (no-load)
Time delay range	20 ms off-delay activation/deactivation by internal switch delay
Delay first up	<= 100 ms
Delay response	<= 0.05 ms
Delay recovery	<= 0.05 ms
Setting-up	Sensitivity adjustment with teach mode
Depth	2.28 in (58 mm)
Height	3.23 in (82 mm)
Width	1.22 in (31 mm)
Product weight	1.21 lb(US) (0.55 kg)

## Environment

Product certifications	CE
Ambient air temperature for operation	14...131 °F (-10...55 °C)
Ambient air temperature for storage	-4...158 °F (-20...70 °C)
Vibration resistance	7 gn, amplitude = +/- 0.6 mm (f = 10...55 Hz) conforming to IEC 60068-2-6
Shock resistance	30 gn (duration = 11 ms) conforming to IEC 60068-2-27
IP degree of protection	IP67 conforming to IEC 60529

## Ordering and shipping details

Category	22481 - SENSORS, PHOTOELECTRIC
Discount Schedule	DS2
GTIN	00785901784777
Nbr. of units in pkg.	1
Package weight(Lbs)	0.7299999999999998
Returnability	Y
Country of origin	HU

## Offer Sustainability

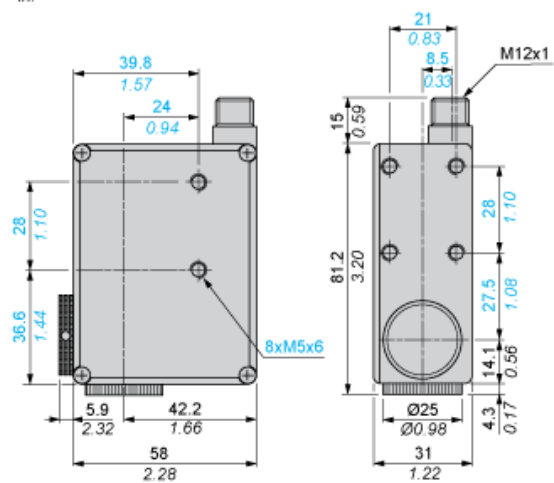
RoHS (date code: YYWW)	Compliant - since 0623 - Schneider Electric declaration of conformity <a href="#">Schneider Electric declaration of conformity</a>
California proposition 65	WARNING: This product can expose you to chemicals including:
----- Substance 1	Diisononyl phthalate (DINP), which is known to the State of California to cause cancer, and
----- Substance 2	Di-isodecyl phthalate (DIDP), which is known to the State of California to cause birth defects or other reproductive harm.
----- More information	For more information go to <a href="http://www.p65warnings.ca.gov">www.p65warnings.ca.gov</a>

## Contractual warranty

Warranty period	18 months
-----------------	-----------

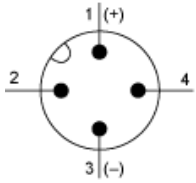
## Dimensions

mm  
in.



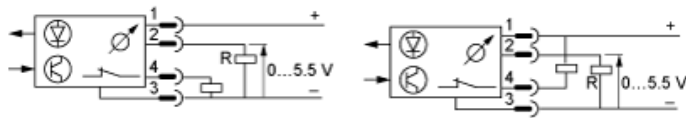
## Wiring Schemes

### Connector Scheme



- 1/Brown : 10...30 VDC
- 2/White : Adjustment input
- 3/Blue : 0 V
- 4/Black : Output

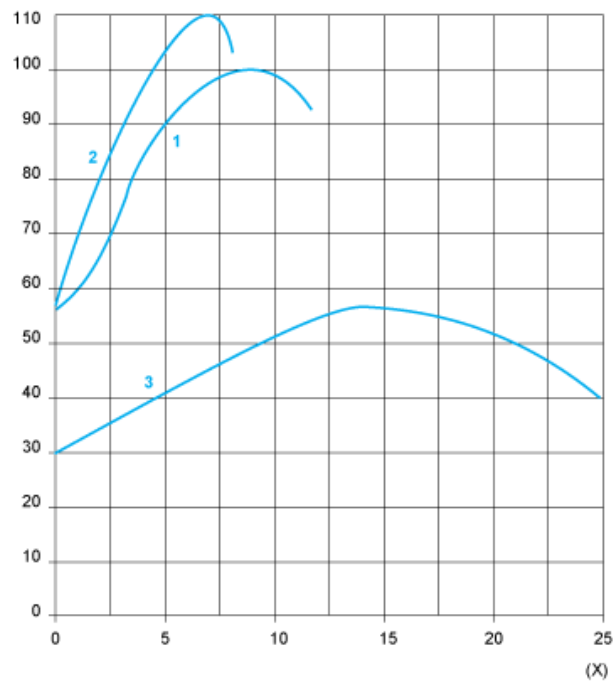
### PNP or NPN Programmable



R = 2.2 k $\Omega$

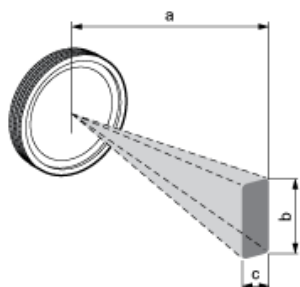
Curves

Detection Curve



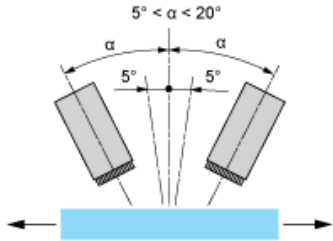
- (x) Distance (mm)
- 1 : XURK●●●●●●●●
- 2 : With XURZ01
- 3 : With XURZ02

Detection Zone and Spot Size (mm)



	a	b	c
	9	9	1.5
With XURZ01	18	7	2
With XURZ02	7	4	1

### Vertical Inclination



An angle of 5 to 10° from vertical is recommended for reflective or transparent surfaces Maximum vertical inclination: 20°