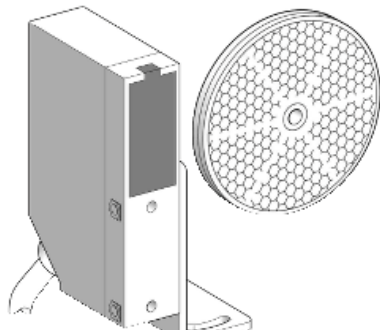


Price* : 102.00 USD

XULJ043539L05 has not been replaced. Please contact your customer care center for more information.



⚠ Discontinued

Main

| | |
|-------------------------------|---|
| Range of product | OsiSense XU |
| Series name | General purpose single mode |
| Electronic sensor type | Photo-electric sensor |
| Sensor name | XUL |
| Sensor design | Compact |
| Detection system | Polarised reflex |
| Material | Plastic |
| Type of output signal | Discrete |
| Supply circuit type | DC |
| Wiring technique | 3-wire |
| Discrete output type | NPN |
| Discrete output function | 1 NO or 1 NC programmable |
| Electrical connection | Cable |
| Cable length | 16.4 ft (5 m) |
| Product specific application | - |
| Emission | Red polarised reflex |
| [Sn] nominal sensing distance | 13.12 ft (4 m) polarised reflex need reflector XUZC80 |

Complementary

| | |
|----------------------------|--|
| Enclosure material | ABS |
| Lens material | PMMA |
| Maximum sensing distance | 26.25 ft (8 m) with reflector Ø 80 mm |
| Output type | Solid state |
| Output function governance | Light or dark programmable |
| Add on output | Without |
| Cable composition | 4 x 0.34 mm ² |
| Wire insulation material | PVC |
| Cable outer diameter | 0.24 in (6 mm) |
| Status LED | 1 LED output state |
| [Us] rated supply voltage | 12..24 V DC with reverse polarity protection |
| Supply voltage limits | 10..30 V DC |

| | |
|--------------------------|---|
| Switching capacity in mA | <= 100 mA (overload and short-circuit protection) |
| Switching frequency | <= 250 Hz |
| Voltage drop | <= 1.5 V (closed state) |
| Current consumption | <= 35 mA (no-load) |
| Delay first up | <= 15 ms |
| Delay response | <= 2 ms |
| Delay recovery | <= 2 ms |
| Setting-up | Without sensitivity adjustment |
| Depth | 1.38 in (35 mm) |
| Height | 2.76 in (70 mm) |
| Width | 0.71 in (18 mm) |
| Product weight | 0.43 lb(US) (0.195 kg) |
| Kit composition | Sensor Bracket XULZ41 |

Environment

| | |
|---------------------------------------|---|
| Product certifications | CE |
| Ambient air temperature for operation | -13...131 °F (-25...55 °C) |
| Ambient air temperature for storage | -40...158 °F (-40...70 °C) |
| Vibration resistance | 7 gn, amplitude = +/- 2 mm (f = 10...55 Hz) conforming to IEC 60068-2-6 |
| Shock resistance | 20 gn (duration = 11 ms) conforming to IEC 60068-2-27 |
| IP degree of protection | IP671 conforming to NF C 20-010 IP67 conforming to IEC 60529 |

Ordering and shipping details

| | |
|-----------------------|--------------------------------|
| Category | 22481 - SENSORS, PHOTOELECTRIC |
| Discount Schedule | DS2 |
| Nbr. of units in pkg. | 1 |
| Package weight(Lbs) | 0.77000000000000002 |
| Returnability | N |
| Country of origin | FR |

Offer Sustainability

| | |
|------------------------|--|
| RoHS (date code: YYWW) | Will be compliant on 4Q2012 Will be compliant on 4Q2012 |
|------------------------|--|

Contractual warranty

| | |
|-----------------|-----------|
| Warranty period | 18 months |
|-----------------|-----------|