

# Product data sheet

## Characteristics

# XUK5ANANM12

photo-electric sensor - XUK - diffuse - Sn 1m - 12..24VDC - M12

Product availability : Non-Stock - Not normally stocked in distribution facility

Price\* : 77.00 USD



### Main

|                               |                              |
|-------------------------------|------------------------------|
| Range of product              | OsiSense XU                  |
| Series name                   | General purpose single mode  |
| Electronic sensor type        | Photo-electric sensor        |
| Sensor name                   | XUK                          |
| Sensor design                 | Compact 50 x 50              |
| Detection system              | Diffuse                      |
| Material                      | Plastic                      |
| Type of output signal         | Discrete                     |
| Supply circuit type           | DC                           |
| Wiring technique              | 3-wire                       |
| Discrete output type          | NPN                          |
| Discrete output function      | 1 NO                         |
| Electrical connection         | 1 male connector M12, 4 pins |
| Product specific application  | -                            |
| Emission                      | Infrared diffuse             |
| [Sn] nominal sensing distance | 3.28 ft (1 m) diffuse        |

### Complementary

|                           |   |
|---------------------------|---|
| Enclosure material        | PBT   |
| Lens material             | PMMA  |
| Maximum sensing distance  | 4.92 ft (1.5 m) diffuse                           |
| Output type               | Solid state                                       |
| Wire insulation material  | PVC   |
| Status LED                | 1 LED (yellow) output state                       |
| [Us] rated supply voltage | 12...24 V DC                                      |
| Switching capacity in mA  | <= 100 mA (overload and short-circuit protection) |
| Switching frequency       | <= 250 Hz   |
| Voltage drop              | <= 1.5 V (closed state)                           |
| Current consumption       | <= 35 mA (no-load)                                |
| Delay first up            | < 15 ms   |

|                |                                |
|----------------|--------------------------------|
| Delay response | < 2 ms                         |
| Delay recovery | < 2 ms                         |
| Setting-up     | Without sensitivity adjustment |
| Depth          | 1.97 in (50 mm)                |
| Height         | 1.97 in (50 mm)                |
| Width          | 0.71 in (18 mm)                |
| Product weight | 0.42 lb(US) (0.19 kg)          |

## Environment

|                                       |   |
|---------------------------------------|---|
| Product certifications                | CE<br>CSA<br>UL   |
| Ambient air temperature for operation | -13...131 °F (-25...55 °C)  |
| Ambient air temperature for storage   | -40...158 °F (-40...70 °C)  |
| Vibration resistance                  | 7 gn, amplitude = +/- 1.5 mm (f = 10...55 Hz) conforming to IEC 60068-2-6 |
| Shock resistance                      | 30 gn (duration = 11 ms) conforming to IEC 60068-2-27                     |
| IP degree of protection               | IP65 double insulation conforming to IEC 60529                            |

## Ordering and shipping details

|                       |   |
|-----------------------|---|
| Category              | 21571 - SENSORS, ELECTRONIC BASIC XU & XS |
| Discount Schedule     | DS2                                       |
| GTIN                  | 00785901530893                            |
| Nbr. of units in pkg. | 1   |
| Package weight(Lbs)   | 0.14000000000000001                       |
| Returnability         | N   |
| Country of origin     | ID  |

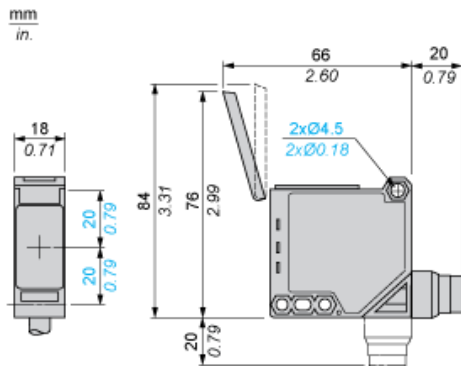
## Offer Sustainability

|                           |   |
|---------------------------|---|
| RoHS (date code: YYWW)    | Compliant - since 0841 - Schneider Electric declaration of conformity<br><a href="#">Schneider Electric declaration of conformity</a> |
| REACH                     | Reference not containing SVHC above the threshold<br><a href="#">Reference not containing SVHC above the threshold</a>                |
| California proposition 65 | WARNING: This product can expose you to chemicals including:  |
| ----- Substance 1         | Diisononyl phthalate (DINP), which is known to the State of California to cause cancer, and   |
| ----- Substance 2         | Di-isodecyl phthalate (DIDP), which is known to the State of California to cause birth defects or other reproductive harm.            |
| ----- More information    | For more information go to <a href="http://www.p65warnings.ca.gov">www.p65warnings.ca.gov</a>   |

## Contractual warranty

|                 |           |
|-----------------|-----------|
| Warranty period | 18 months |
|-----------------|-----------|

Dimensions

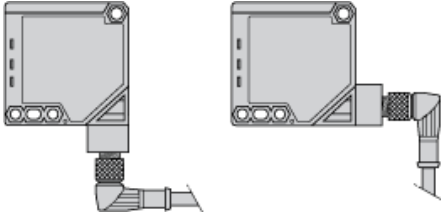


---

Mounting and Clearance

---

Possible Orientation of Elbowed Connector

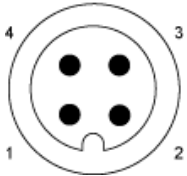


---

## Wiring Schemes

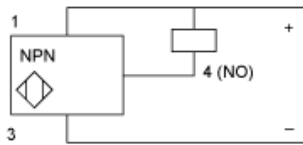
---

### M12 Connector

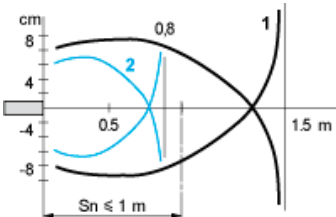


- 1 : (+)
- 3 : (-)
- 4 : OUT/Output

### NPN Outputs



Detection Curves



- 1 : White 90%
  - 2 : Grey 18%
- Object 10 x 10 cm