

## Product data sheet

### Characteristics

# XS9C11RPBL01M12

Rot. monitoring - 40x40x15 - Sn15mm - 6..6000c/  
mn - 12..24VDC - M12 0.15m

Product availability : Non-Stock - Not normally stocked in distribution facility

Price\*\* : 255.42 USD



### Main

Range of product	OsiSense XS
Series name	Application
Sensor type	Inductive proximity sensor
Device application	Rotation monitoring
Sensor name	XS9
Sensor design	Flat form 40 x 40 x 15
Size	15 mm
Body type	Fixed
Detector flush mounting acceptance	Flush mountable
Material	Plastic
Enclosure material	PBT
Type of output signal	Discrete
Wiring technique	3-wire
[Sn] nominal sensing distance	0.59 in (15 mm)
Discrete output function	1 NC
Output circuit type	DC
Discrete output type	PNP
Electrical connection	4 pins M12 remote male connector
Cable length	0.49 ft (0.15 m)
[Us] rated supply voltage	12...24 V DC
Switching capacity in mA	<= 200 mA
IP degree of protection	IP67 double insulation conforming to IEC 60529

### Complementary

Detection face	Frontal
Front material	PBT
Adjustable frequency range	6...6000 cyc/mn
Operating zone	0...0.47 in (0...12 mm)
Differential travel	3...15% of Fr
Repeat accuracy	3% of Sr

Wire insulation material	PvR
Status LED	1 LED green supply on 1 LED yellow output state
Supply voltage limits	10...36 V DC
Residual current	<= 100 mA for open state
Switching frequency	<= 800 Hz
Voltage drop	<= 2 V at closed state
Current consumption	0...10 mA at no-load
Run-up delay at power-up	9 s standard
Marking	CE
Depth	0.59 in (15 mm)
Height	1.57 in (40 mm)
Width	1.57 in (40 mm)
Product weight	0.13 lb(US) (0.06 kg)

## Environment

Product certifications	CSA UL
Ambient air temperature for operation	-13...158 °F (-25...70 °C)
Ambient air temperature for storage	-40...185 °F (-40...85 °C)
Vibration resistance	25 gn amplitude = +/- 2 mm (f = 10...55 Hz) conforming to IEC 60068-2-6
Shock resistance	50 gn 11 ms conforming to IEC 60068-2-27

## Ordering and shipping details

Category	22486 - SENSORS, PROXIMITY
Discount Schedule	DS2
GTIN	00785901509813
Nbr. of units in pkg.	1
Package weight(Lbs)	0.20000000000000001
Returnability	N
Country of origin	FR

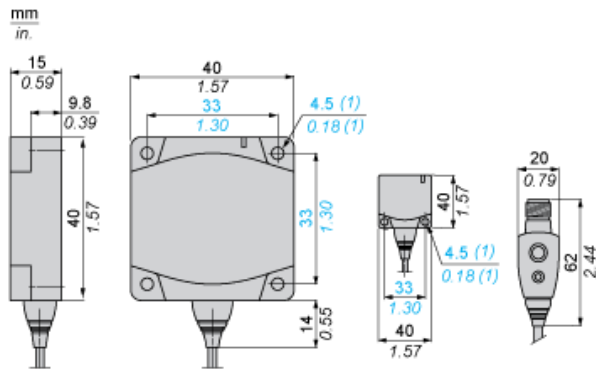
## Offer Sustainability

RoHS (date code: YYWW)	Will be compliant on 3Q2013 <a href="#">Will be compliant on 3Q2013</a>
California proposition 65	WARNING: This product can expose you to chemicals including:
----- Substance 1	Diisononyl phthalate (DINP), which is known to the State of California to cause cancer, and
----- Substance 2	Di-isodecyl phthalate (DIDP), which is known to the State of California to cause birth defects or other reproductive harm.
----- More information	For more information go to <a href="http://www.p65warnings.ca.gov">www.p65warnings.ca.gov</a>

## Contractual warranty

Warranty period	18 months
-----------------	-----------

Dimensions



(1) For CHC type screws

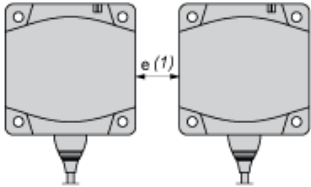
---

Setting-up

---

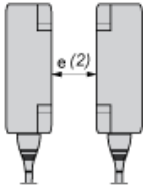
Minimum Mounting Distances (mm)

Side by Side



$$e (1) \geq 60$$

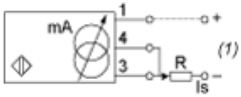
Face to Face



$$e (2) \geq 120$$

Wiring Schemes

2-Wire



(1) Output current

Ensure a minimum of 10 V between the + and the - (terminal 3) of the sensor

	Output current	Load impedance value
12 V	4...20 mA	$R \leq 82 \Omega$
24 V	4...20 mA	$R \leq 560 \Omega$