

Product data sheet

Characteristics

XS612B1MAL5

inductive sensor XS6 M12 - L53mm - brass - Sn4mm - 24..240VAC/DC - cable 5m

Product availability : Non-Stock - Not normally stocked in distribution facility



Price* : 78.59 USD



Main

| | |
|------------------------------------|---|
| Range of product | OsiSense XS |
| Series name | General purpose |
| Sensor type | Inductive proximity sensor |
| Device application | - |
| Sensor name | XS6 |
| Sensor design | Cylindrical M12 |
| Size | 53 mm |
| Body type | Fixed |
| Detector flush mounting acceptance | Flush mountable |
| Material | Metal |
| Type of output signal | Discrete |
| Wiring technique | 2-wire |
| [Sn] nominal sensing distance | 0.16 in (4 mm) |
| Discrete output function | 1 NO |
| Output circuit type | AC/DC |
| Electrical connection | Cable |
| Cable length | 16.4 ft (5 m) |
| [Us] rated supply voltage | 24...240 V AC/DC (50/60 Hz) |
| Switching capacity in mA | 5...200 mA AC/DC |
| IP degree of protection | IP68 double insulation conforming to IEC 60529 IP69K conforming to DIN 40050 |

Complementary

| | |
|----------------|---------|
| Thread type | M12 x 1 |
| Detection face | Frontal |
| Front material | PPS |

| | |
|--------------------------|------------------------------|
| Enclosure material | Nickel plated brass |
| Operating zone | 0...0.13 in (0...3.2 mm) |
| Differential travel | 1...15% of Sr |
| Cable composition | 2 x 0.34 mm ² |
| Wire insulation material | PvR |
| Status LED | 1 LED (yellow) output state |
| Supply voltage limits | 20...264 V AC/DC |
| Residual current | <= 0.8 mA, open state |
| Switching frequency | <= 1000 Hz DC <= 25 Hz AC |
| Voltage drop | <= 5.5 V, closed state |
| Delay first up | <= 20 ms |
| Delay response | <= 0.5 ms |
| Delay recovery | <= 0.2 ms |
| Marking | CE |
| Threaded length | 1.65 in (42 mm) |
| Length | 2.09 in (53 mm) |
| Product weight | 0.43 lb(US) (0.195 kg) |

Environment

| | |
|---------------------------------------|---|
| Product certifications | CSA UL |
| Ambient air temperature for operation | -13...158 °F (-25...70 °C) |
| Ambient air temperature for storage | -40...185 °F (-40...85 °C) |
| Vibration resistance | 25 gn, amplitude: +/- 2 mm (f = 10...55 Hz) conforming to IEC 60068-2-6 |
| Shock resistance | 50 gn (duration = 11 ms) conforming to IEC 60068-2-27 |

Ordering and shipping details

| | |
|-----------------------|----------------------------|
| Category | 22486 - SENSORS, PROXIMITY |
| Discount Schedule | DS2 |
| GTIN | 00785901583066 |
| Nbr. of units in pkg. | 1 |
| Package weight(Lbs) | 0.35999999999999999 |
| Returnability | N |
| Country of origin | FR |

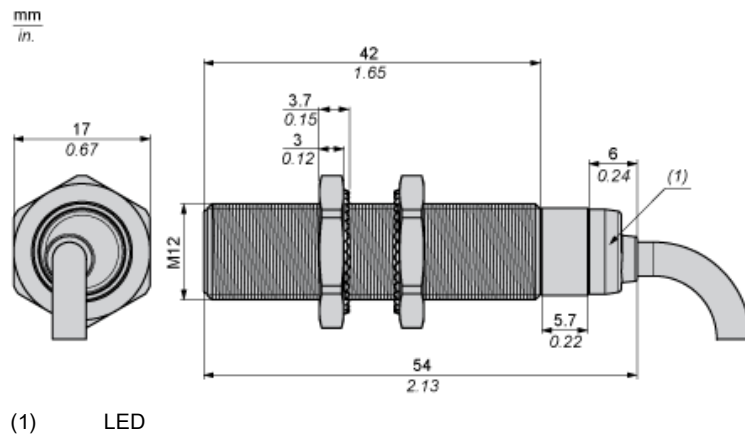
Offer Sustainability

| | |
|----------------------------------|---|
| Sustainable offer status | Green Premium product |
| RoHS (date code: YYWW) | Compliant - since 0807 - Schneider Electric declaration of conformity Schneider Electric declaration of conformity |
| REACH | Reference not containing SVHC above the threshold Reference not containing SVHC above the threshold |
| Product environmental profile | Available |
| Product end of life instructions | Available |
| California proposition 65 | WARNING: This product can expose you to chemicals including: |
| ----- Substance 1 | Diisononyl phthalate (DINP), which is known to the State of California to cause cancer, and |
| ----- Substance 2 | Di-isodecyl phthalate (DIDP), which is known to the State of California to cause birth defects or other reproductive harm. |
| ----- More information | For more information go to www.p65warnings.ca.gov |

Contractual warranty

| | |
|-----------------|-----------|
| Warranty period | 18 months |
|-----------------|-----------|

Dimensions



Minimum Mounting Distances

Side by side



$e (1) \geq 8 \text{ mm} / 0.31 \text{ in.}$

Face to face



$e (2) \geq 48 \text{ mm} / 1.89 \text{ in.}$

Facing a metal object



$e (3) \geq 12 \text{ mm} / 0.47 \text{ in.}$

Mounting

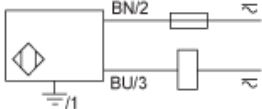


(1) Bending cable: 4 x external cable diameter

Wiring Schemes

2-Wire AC or DC

NO output



BU : Blue
BN : Brown