

# Product data sheet

## Characteristics

# XS1N18PA349D

inductive sensor XS1 M18 - L50mm - brass - Sn10mm - 12..24VDC - M12

Product availability : Stock - Normally stocked in distribution facility



Price\* : 100.00 USD



### Main

|                                    |   |
|------------------------------------|---|
| Range of product                   | OsiSense XS   |
| Series name                        | General purpose   |
| Sensor type                        | Inductive proximity sensor                                    |
| Device application                 | -   |
| Sensor name                        | XS1   |
| Sensor design                      | Cylindrical M18   |
| Size                               | 50 mm   |
| Body type                          | Fixed   |
| Detector flush mounting acceptance | Flush mountable   |
| Material                           | Metal   |
| Enclosure material                 | Nickel plated brass   |
| Type of output signal              | Discrete  |
| Wiring technique                   | 3-wire  |
| [Sn] nominal sensing distance      | 0.39 in (10 mm)   |
| Discrete output function           | 1 NO  |
| Output circuit type                | DC  |
| Discrete output type               | PNP   |
| Electrical connection              | 4 pins M12 male connector                                     |
| [Us] rated supply voltage          | 12...24 V DC with reverse polarity protection                 |
| Switching capacity in mA           | <= 200 mA DC with overload and short-circuit protection       |
| IP degree of protection            | IP67 conforming to IEC 60529<br>IP69K conforming to DIN 40050 |

### Complementary

|                |         |
|----------------|---------|
| Thread type    | M18 x 1 |
| Detection face | Frontal |

|                       |                           |
|-----------------------|---------------------------|
| Front material        | PPS                       |
| Operating zone        | 0...0.31 in (0...8 mm)    |
| Differential travel   | 1...15% of Sr             |
| Status LED            | 1 LED yellow output state |
| Supply voltage limits | 10...36 V DC              |
| Switching frequency   | <= 1000 Hz                |
| Voltage drop          | <= 2 V at closed state    |
| Current consumption   | 0...10 mA at no-load      |
| Delay first up        | <= 5 ms                   |
| Delay response        | <= 0.3 ms                 |
| Delay recovery        | <= 0.7 ms                 |
| Marking               | CE                        |
| Threaded length       | 1.1 in (28 mm)            |
| Height                | 0.71 in (18 mm)           |
| Length                | 1.97 in (50 mm)           |
| Product weight        | 0.09 lb(US) (0.04 kg)     |

## Environment

|                                       |   |
|---------------------------------------|---|
| Product certifications                | CSA<br>UL   |
| Ambient air temperature for operation | -13...122 °F (-25...50 °C)  |
| Ambient air temperature for storage   | -40...185 °F (-40...85 °C)  |
| Vibration resistance                  | 25 gn amplitude = +/- 2 mm (f = 10...55 Hz) conforming to IEC 60068-2-6 |
| Shock resistance                      | 50 gn 11 ms conforming to IEC 60068-2-27                                |

## Ordering and shipping details

|                       |                            |
|-----------------------|----------------------------|
| Category              | 22486 - SENSORS, PROXIMITY |
| Discount Schedule     | DS2                        |
| GTIN                  | 00785901911579             |
| Nbr. of units in pkg. | 1                          |
| Package weight(Lbs)   | 0.13                       |
| Returnability         | Y                          |
| Country of origin     | FR                         |

## Offer Sustainability

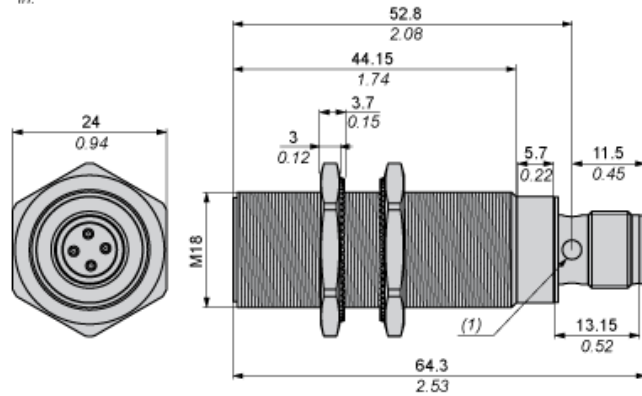
|                                  |   |
|----------------------------------|---|
| Sustainable offer status         | Green Premium product   |
| RoHS (date code: YYWW)           | Compliant - since 0838 - Schneider Electric declaration of conformity<br><a href="#">Schneider Electric declaration of conformity</a> |
| REACH                            | Reference not containing SVHC above the threshold<br><a href="#">Reference not containing SVHC above the threshold</a>                |
| Product environmental profile    | Available   |
| Product end of life instructions | Available   |
| California proposition 65        | WARNING: This product can expose you to chemicals including:  |
| ----- Substance 1                | Diisononyl phthalate (DINP), which is known to the State of California to cause cancer, and   |
| ----- Substance 2                | Di-isodecyl phthalate (DIDP), which is known to the State of California to cause birth defects or other reproductive harm.            |
| ----- More information           | For more information go to <a href="http://www.p65warnings.ca.gov">www.p65warnings.ca.gov</a>   |

## Contractual warranty

|                 |           |
|-----------------|-----------|
| Warranty period | 18 months |
|-----------------|-----------|

Dimensions

mm  
in.



(1) LED

---

Minimum Mounting Distances

---

Side by side



$e (1) \geq 20 \text{ mm}/0.79 \text{ in.}$

Face to face



$e (2) \geq 96 \text{ mm}/3.78 \text{ in.}$

Facing a metal object



$e (3) \geq 30 \text{ mm}/1.18 \text{ in.}$

Mounted in a metal support



$d \geq 28 \text{ mm}/1.10 \text{ in.}$

$h \geq 3.6 \text{ mm}/0.14 \text{ in.}$

---

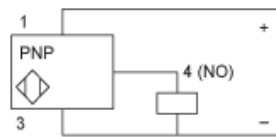
Wiring Schemes

---

M12 connector



PNP

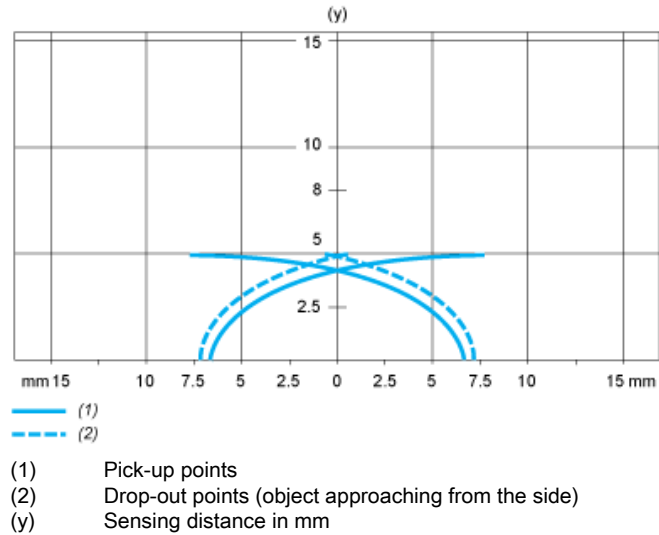


---

Performance Curves

---

Standard Steel Target : 18x18x1 mm



XS1N18PA349D is replaced by:



Inductive sensors XS XS618B1PAM12

inductive sensor XS6 M18 - L74mm - brass - Sn8mm - 12..48VDC - M12

Qty 1

Reason for Substitution: End of life | Substitution date: 01 January 2017

---