

# Product data sheet

## Characteristics

# XS1N05PA311

inductive sensor XS1 M5 - L29mm - stainless -  
Sn0.8mm - 5..24VDC - cable 2m

Product availability : Non-Stock - Not normally stocked in distribution facility



Price\* : 131.64 USD



### Main

|                                    |  |
|------------------------------------|--|
| Range of product                   | OsiSense XS  |
| Series name                        | General purpose                                      |
| Sensor type                        | Inductive proximity sensor                           |
| Device application                 | -  |
| Sensor name                        | XS1  |
| Sensor design                      | Cylindrical M5                                       |
| Size                               | 29 mm  |
| Body type                          | Fixed  |
| Detector flush mounting acceptance | Flush mountable                                      |
| Material                           | Stainless steel                                      |
| Type of output signal              | Discrete   |
| Wiring technique                   | 3-wire   |
| [Sn] nominal sensing distance      | 0.03 in (0.8 mm)                                     |
| Discrete output function           | 1 NO   |
| Output circuit type                | DC   |
| Discrete output type               | PNP  |
| Electrical connection              | Cable  |
| Cable length                       | 6.56 ft (2 m)  |
| [Us] rated supply voltage          | 5...24 V DC  |
| Switching capacity in mA           | <= 100 mA with overload and short-circuit protection |
| IP degree of protection            | IP67 conforming to IEC 60529                         |

### Complementary

|                |          |
|----------------|----------|
| Thread type    | M5 x 0.5 |
| Detection face | Frontal  |
| Front material | PPS      |

|                          |                           |
|--------------------------|---------------------------|
| Enclosure material       | Stainless steel 303       |
| Operating zone           | 0...0.02 in (0...0.6 mm)  |
| Cable composition        | 3 x 0.11 mm <sup>2</sup>  |
| Wire insulation material | PvR                       |
| Status LED               | 1 LED yellow output state |
| Supply voltage limits    | 5...30 V DC               |
| Switching frequency      | <= 5000 Hz                |
| Voltage drop             | <= 2 V at closed state    |
| Current consumption      | <= 10 mA at no-load       |
| Delay first up           | <= 5 ms                   |
| Delay response           | <= 1 ms                   |
| Delay recovery           | <= 1 ms                   |
| Marking                  | CE                        |
| Threaded length          | 1.14 in (29 mm)           |
| Height                   | 0.2 in (5 mm)             |
| Length                   | 1.1 in (28 mm)            |

## Environment

|                                       |   |
|---------------------------------------|---|
| Product certifications                | CSA<br>UL   |
| Ambient air temperature for operation | -13...158 °F (-25...70 °C)  |
| Ambient air temperature for storage   | -40...185 °F (-40...85 °C)  |
| Vibration resistance                  | 25 gn amplitude = +/- 2 mm (f = 10...55 Hz) conforming to IEC 60068-2-6 |
| Shock resistance                      | 50 gn 11 ms conforming to IEC 60068-2-27                                |

## Ordering and shipping details

|                       |                            |
|-----------------------|----------------------------|
| Category              | 22486 - SENSORS, PROXIMITY |
| Discount Schedule     | DS2                        |
| GTIN                  | 00785901925675             |
| Nbr. of units in pkg. | 1                          |
| Package weight(Lbs)   | 0.11                       |
| Returnability         | N                          |
| Country of origin     | FR                         |

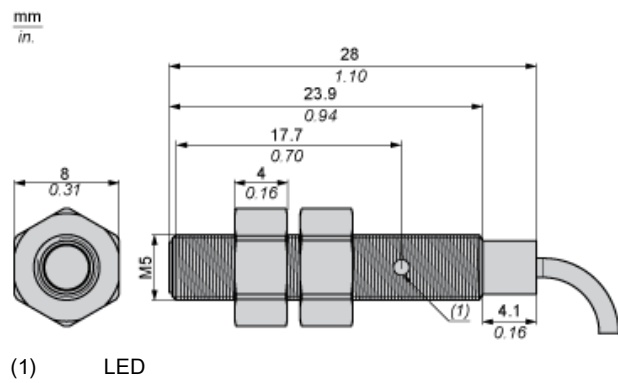
## Offer Sustainability

|                                  |   |
|----------------------------------|---|
| Sustainable offer status         | Green Premium product   |
| RoHS (date code: YYWW)           | Compliant - since 0824 - Schneider Electric declaration of conformity<br><a href="#">Schneider Electric declaration of conformity</a> |
| REACH                            | Reference not containing SVHC above the threshold<br><a href="#">Reference not containing SVHC above the threshold</a>                |
| Product environmental profile    | Available   |
| Product end of life instructions | Available   |
| California proposition 65        | WARNING: This product can expose you to chemicals including:  |
| ----- Substance 1                | Diisononyl phthalate (DINP), which is known to the State of California to cause cancer, and   |
| ----- Substance 2                | Di-isodecyl phthalate (DIDP), which is known to the State of California to cause birth defects or other reproductive harm.            |
| ----- More information           | For more information go to <a href="http://www.p65warnings.ca.gov">www.p65warnings.ca.gov</a>   |

## Contractual warranty

|                 |           |
|-----------------|-----------|
| Warranty period | 18 months |
|-----------------|-----------|

Dimensions

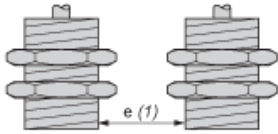


---

Minimum Mounting Distances in mm

---

Side by side



$e(1) \geq 2 \text{ mm}/0.79 \text{ in.}$

Face to face



$e(2) \geq 12 \text{ mm}/0.47 \text{ in.}$

Facing a metal object



$e(3) \geq 3 \text{ mm}/0.12 \text{ in.}$

Mounted in a metal support



$d \geq 5 \text{ mm}/0.17 \text{ in.}$

$h \geq 0 \text{ mm}/0 \text{ in.}$

Tightening torque : 2.2 N.m. (values obtained with washers mounted)

---

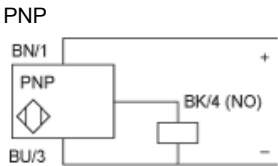
Mounting

---



(1) Bending cable: 4 x external cable diameter

Wiring Schemes



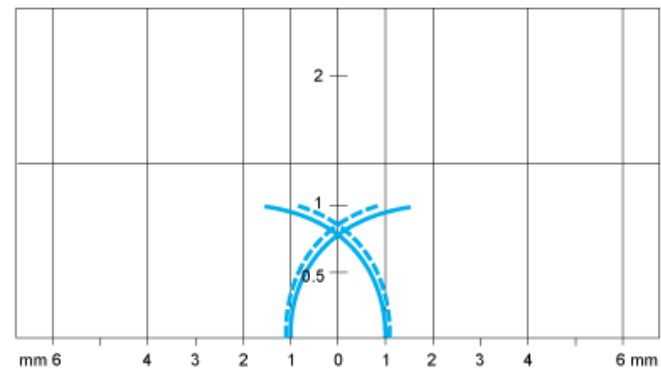
- BU : Blue
- BN : Brown
- BK : Black

---

Performance Curves

---

Standard Steel Target (mm) : 5x5x1



- Pick-up points
- - - Drop-out points (object approaching from the side)
- (y) Sensing distance in mm