

# Product data sheet

## Characteristics

# XMLR100M0T75

Pressure sensors XMLR 100bar - G 1/4 - 24VDC  
- 0..10 V - M12

Product availability : Non-Stock - Not normally stocked in distribution facility

Price\* : 334.00 USD



### Main

|   |  |
|---|--|
| Range of product                        | OsiSense XM  |
| Product or component type               | Electronic pressure sensors  |
| Pressure sensor type                    | Pressure transmitter   |
| Pressure switch type of operation       | Pressure transmitter   |
| Device short name                       | XMLR   |
| Pressure sensor size                    | 1450.38 psi (100 bar)<br>1450 psi  |
| Maximum permissible accidental pressure | 4351.13 psi (300 bar)<br>4350 psi<br>30 MPa  |
| Destruction pressure                    | 8702.26 psi (600 bar)<br>8700 psi<br>60 MPa  |
| Controlled fluid                        | Fresh water (32...176 °F (0...80 °C))<br>Air (-20...80 °C)<br>Hydraulic oil (-20...80 °C)<br>Refrigeration fluid (-20...80 °C) |
| Fluid connection type                   | G 1/4 (female) conforming to DIN 3852-Y  |
| [Us] rated supply voltage               | 24 V DC SELV, voltage limits: 17...33 V  |

### Complementary

|                                 |   |
|---------------------------------|---|
| Current consumption             | <= 50 mA  |
| Electrical connection           | 4 pins M12 male connector   |
| Analogue output function        | 0...10 V  |
| Type of output signal           | Analogue  |
| Analogue output function        | 0...10 V  |
| Scale type                      | Fixed differential  |
| Materials in contact with fluid | 316L stainless steel  |
| Front material                  | Polyester   |
| Housing material                | Polyacrylamide<br>316L stainless steel  |
| Operating position              | Any position, but disposals can falsified the measurement in case of upside down mounting |
| Protection type                 | Overload protection   |

|  |   |
|--|---|
|  | Overvoltage protection<br>Reverse polarity<br>Short-circuit protection  |
| Response time on output                  | <= 10 ms analog output  |
| Display type                             | 4 digits 7 segments   |
| Display response time type               | Fast 50 ms<br>Normal 200 ms<br>Slow 600 ms  |
| Delay first up                           | <= 300 ms   |
| Overall accuracy                         | <= 1 % of the measuring range   |
| Linearity error on analogue output       | <= 0.5 % of the measuring range   |
| Hysteresis on analogue output            | <= 0.2 % of the measuring range   |
| Measurement accuracy on switching output | <= 0.6 % of the measuring range   |
| Repeat accuracy                          | <= 0.2 % of the measuring range   |
| Drift of the sensitivity                 | +/- 0.03 % of measuring range/°C  |
| Drift of the zero point                  | +/- 0.1 % of measuring range/°C   |
| Display accuracy                         | <= 1 % of the measuring range   |
| Mechanical durability                    | >= 10000000 cycles  |
| Depth                                    | 1.65 in (42 mm)   |
| Height                                   | 3.46 in (88 mm)   |
| Width                                    | 1.61 in (41 mm)   |
| Product weight                           | 0.41 lb(US) (0.186 kg)  |
| [Uimp] rated impulse withstand voltage   | 0.5 kV DC   |
| Electromagnetic compatibility            | Electrostatic discharge immunity test - test level 8 kV air, 4 kV contact conforming to EN/IEC 61000-4-2<br>Susceptibility to electromagnetic fields - test level 10 V/m (80...2000 MHz) conforming to EN/IEC 61000-4-3<br>Electrical fast transient/burst immunity test - test level 2 kV conforming to EN/IEC 61000-4-4<br>Surge immunity test - test level 1 kV conforming to EN/IEC 61000-4-5<br>Immunity to conducted RF disturbances - test level 10 V (0.15...80 MHz) conforming to EN/IEC 61000-4-6 |

## Environment

|                                       |  |
|---------------------------------------|--|
| Marking                               | CE   |
| Product certifications                | CULus<br>EAC   |
| Standards                             | UL 61010-1<br>EN/IEC 61326-2-3                                     |
| Ambient air temperature for operation | -4...176 °F (-20...80 °C)  |
| Ambient air temperature for storage   | -40...176 °F (-40...80 °C)   |
| IP degree of protection               | IP65 conforming to EN/IEC 60529<br>IP67 conforming to EN/IEC 60529 |
| Vibration resistance                  | 20 gn (f = 10...2000 Hz) conforming to EN/IEC 60068-2-6            |
| Shock resistance                      | 50 gn conforming to EN/IEC 60068-2-27                              |

## Ordering and shipping details

|                       |   |
|-----------------------|---|
| Category              | 21551 - XMLE,XMLF,XMLG PRESSURE SENSORS |
| Discount Schedule     | DS2                                     |
| GTIN                  | 003389119611251                         |
| Nbr. of units in pkg. | 1                                       |
| Package weight(Lbs)   | 0.41000000000000003                     |
| Returnability         | N                                       |
| Country of origin     | CH                                      |

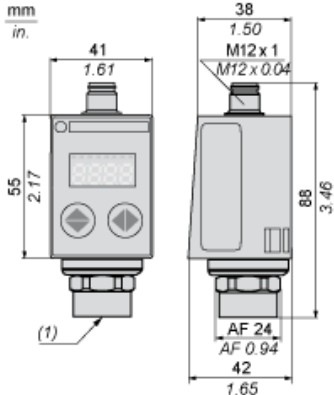
## Offer Sustainability

|                        |   |
|------------------------|---|
| RoHS (date code: YYWW) | Compliant - since 1351 - Schneider Electric declaration of conformity |
|------------------------|---|

 Schneider Electric declaration of conformity

|                           |  |
|---------------------------|--|
| REACH                     | Reference not containing SVHC above the threshold<br>Reference not containing SVHC above the threshold                     |
| California proposition 65 | WARNING: This product can expose you to chemicals including:   |
| ----- Substance 1         | Diisononyl phthalate (DINP), which is known to the State of California to cause cancer, and                                |
| ----- Substance 2         | Di-isodecyl phthalate (DIDP), which is known to the State of California to cause birth defects or other reproductive harm. |
| ----- More information    | For more information go to <a href="http://www.p65warnings.ca.gov">www.p65warnings.ca.gov</a>                              |

Dimensions



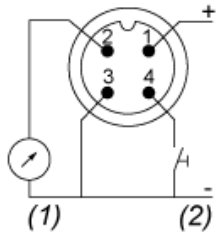
(1) Fluid entry: G 1/4 A female

---

Connections and Schema

---

Connector Wiring



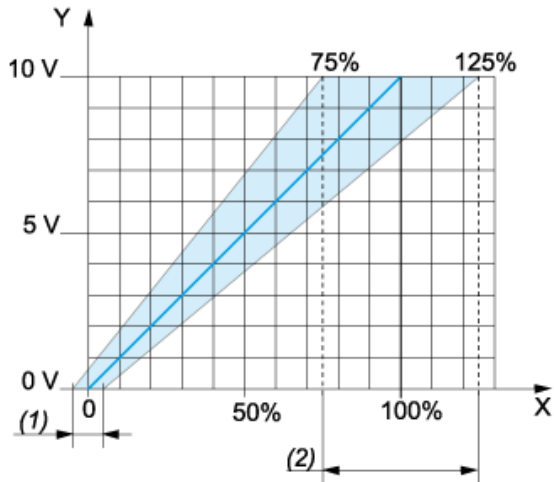
- (1) I Out or V Out
- (2) Test Input

---

Analogue Output Description

---

Analogue Output Signal



- X : Pressure  
Y : Analogue output signal  
(1) An offset of +/-5% of nominal pressure can be compensated (with Cof Configuration menu. Cof: Offset Compensation)  
(2) The Analogue curve can be adjusted from -25% to +25% of nominal pressure (with AEP Configuration menu. AEP: analogue end point).