

# Product data sheet

## Characteristics

# XMLP400BD22Q

pressure transmitter - XMLP - 400bars - G1/4A  
male - 4..20mA - M12 - set of 40

Price\* : 91.00 USD

XMLP400BD22Q has not been replaced. Please contact your customer care center for more information.



⚠ Discontinued

### Main

|                           |  |
|---------------------------|--|
| Range of product          | OsiSense XM  |
| Product or component type | Electronic pressure sensors  |
| Pressure sensor type      | Pressure transmitter   |
| Pressure sensor name      | XMLP   |
| Electrical circuit type   | Control circuit  |
| Pressure sensor size      | 5801.51 psi (400 bar)  |
| Local display             | Without  |
| Controlled fluid          | Fresh water 32...248 °F (0...120 °C)<br>Air -22...248 °F (-30...120 °C)<br>Hydraulic oil -22...248 °F (-30...120 °C)<br>Gas -22...248 °F (-30...120 °C)<br>Refrigeration fluid -22...248 °F (-30...120 °C) |
| Fluid connection type     | G 1/4A (male) conforming to DIN 3852-A   |
| Electrical connection     | 1 male connector M12 4 pins  |
| [Us] rated supply voltage | 12...24 V DC SELV, voltage limits: 8...30 V  |
| Current consumption       | < 20 mA  |
| Type of output signal     | Analogue   |
| Analogue output function  | 4...20 mA, 2-wire  |
| Quantity per set          | Set of 40  |
| Type of packing           | Group  |

### Complementary

|   |   |
|---|---|
| Pressure setting range                  | 0...5801.51 psi (0...400 bar)   |
| Maximum permissible accidental pressure | 11603.02 psi (800 bar)  |
| Destruction pressure                    | 1600 bar  |
| Materials in contact with fluid         | Stainless steel type 17-4PH<br>Stainless steel type AISI 304  |
| Operating position                      | Any position  |
| Protection type                         | Load short-circuit<br>Reverse polarity  |
| Electromagnetic compatibility           | Susceptibility to electromagnetic fields conforming to EN/IEC 61000-4-3 - test level 10 V/m (f = 80...1000 MHz)<br>Electrical fast transient/burst immunity test conforming to EN/IEC 61000-4-4 - test level 2 kV |

1.2/50  $\mu$ s shock waves immunity test conforming to EN/IEC 61000-4-5 - test level 500 V 12 Ohm, 1 kV 42 Ohm  
 Radiated RF fields conforming to EN/IEC 61000-4-6 - test level 10 V (f = 0.15...80 MHz)  
 Electrostatic discharge immunity test conforming to EN/IEC 61000-4-2 - test level 8 kV air, 4 kV contact

|  |                                  |
|--|----------------------------------|
| [Uimp] rated impulse withstand voltage | 0.5 kV                           |
| Response time on output                | < 5 ms for 92 % of full scale    |
| Measurement accuracy                   | +/- 0.5 % of the measuring range |
| Resolution                             | Infinity                         |
| Drift of the sensitivity               | +/- 0.02 % of measuring range/°K |
| Drift of the zero point                | +/- 0.02 % of measuring range/°K |
| Long term stability                    | +/- 0.2 % of the measuring range |
| Mechanical durability                  | >= 10000000 cycles               |
| Product weight                         | 0.11 lb(US) (0.05 kg)            |
| Diameter                               | 1.18 in (30 mm)                  |
| Length                                 | 1.02 in (26 mm)                  |

## Environment

|                                       |   |
|---------------------------------------|---|
| Standards                             | CE<br>EN/IEC 61326-1  |
| Product certifications                | CULus<br>RCM<br>EAC   |
| Protective treatment                  | TC  |
| Ambient air temperature for operation | -22...212 °F (-30...100 °C)   |
| Ambient air temperature for storage   | -22...212 °F (-30...100 °C)   |
| Vibration resistance                  | 20 gn (f = 10...2000 Hz) conforming to EN/IEC 60068-2-64  |
| Shock resistance                      | 25 gn 11 ms conforming to EN/IEC 60068-2-27   |
| IP degree of protection               | IP65 conforming to EN/IEC 60529<br>IP67 conforming to EN/IEC 60529<br>IP69K conforming to DIN 40050 |

## Ordering and shipping details

|                       |   |
|-----------------------|---|
| Category              | 21561 - XMLK,XMLP PRESSURE TRANSMITTERS |
| Discount Schedule     | DS2                                     |
| GTIN                  | 003389119058735                         |
| Nbr. of units in pkg. | 40                                      |
| Package weight(Lbs)   | 0.14999999999999999                     |
| Returnability         | N                                       |
| Country of origin     | DE                                      |

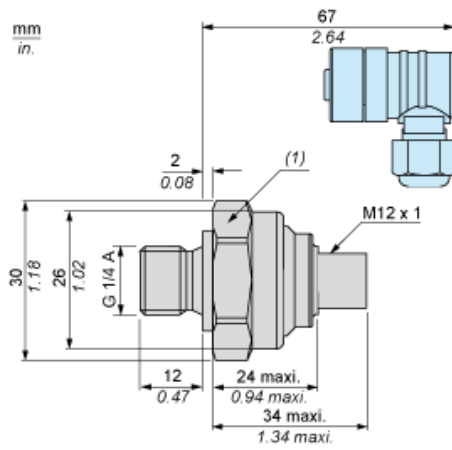
## Offer Sustainability

|                        |   |
|------------------------|---|
| RoHS (date code: YYWW) | Compliant - since 1136 - Schneider Electric declaration of conformity<br><a href="#">Schneider Electric declaration of conformity</a> |
|------------------------|---|

## Contractual warranty

|                 |           |
|-----------------|-----------|
| Warranty period | 18 months |
|-----------------|-----------|

Dimensions



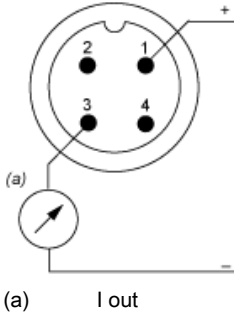
(1) SW27 Tightening torque  $\leq 25$  Nm / 221 Lb-in

---

Wiring Diagram

---

2-Wire Technique (4-20 mA)



---

Curves

---

