

XMLGM01D71TQ

pressure sensor XMLG - (-0.08..-1) bar - G 1/4A
(male) - 24V - 0..10V- set of 25



⚠ Discontinued

XMLGM01D71TQ has not been replaced. Please contact your customer care center for more information.

Main

| | |
|---------------------------|---|
| Range of product | OsiSense XM |
| Product or component type | Electronic pressure sensors |
| Pressure sensor type | Pressure transmitter |
| Pressure sensor name | XMLG |
| Pressure sensor size | -14.5 psi (-1 bar) |
| Fluid connection type | G 1/4A (male) conforming to DIN 3852-E |
| Controlled fluid | Fresh water (0...125 °C) Air (5...257 °F (-15...125 °C)) Corrosive fluid (5...257 °F (-15...125 °C)) Hydraulic oil (5...257 °F (-15...125 °C)) |
| Type of output signal | Analogue |
| Analogue output function | 0...10 V, 3 wires |
| Electrical connection | 3 pins 1 male connector M12 |
| [Us] rated supply voltage | 24 V DC, voltage limits: 11.4...33 V |
| Quantity per set | Set of 25 |
| Type of packing | Group |
| Diameter | 0.9 in (22.8 mm) |

Complementary

| | |
|---|--|
| Pressure setting range | -14.5...0 psi (-1...0 bar) |
| Maximum permissible accidental pressure | 39.16 psi (2.7 bar) |
| Destruction pressure | 43.51 psi (3 bar) |
| Local display | Without |
| Electrical circuit type | Control circuit |
| Current consumption | < 20 mA |
| Materials in contact with fluid | FPM (Viton) Ceramic Stainless steel type AISI 303 |
| Operating position | Any position |
| Protection type | Load short-circuit Reverse polarity |
| Surge withstand | 1 kV (42 Ohm) conforming to EN/IEC 61000-4-5 500 kV (12 Ohm) conforming to EN/IEC 61000-4-5 |

Disclaimer: This documentation is not intended as a substitute for and is not to be used for determining suitability or reliability of these products for specific user applications

| | |
|--|-----------------------------------|
| [Uimp] rated impulse withstand voltage | 0.5 kV |
| Response time on output | < 2 ms |
| Drift of the sensitivity | +/- 0.015 % of measuring range/°C |
| Drift of the zero point | +/- 0.015 % of measuring range/°C |
| Measurement accuracy | +/- 0.3 % of the measuring range |
| Repeat accuracy | +/- 0.1 % of the measuring range |
| Mechanical durability | >= 10000000 cycles |
| Product weight | 0.21 lb(US) (0.095 kg) |
| Height | 58.1 mm |
| Length | 1.91 in (48.5 mm) |

Environment

| | |
|---------------------------------------|---|
| Standards | CE EN/IEC 61326-2-3 |
| Product certifications | EAC CSA C22.2 No 14 UL 508 |
| Protective treatment | TC |
| Ambient air temperature for operation | 5...185 °F (-15...85 °C) |
| Ambient air temperature for storage | -40...185 °F (-40...85 °C) |
| Vibration resistance | 20 gn (f = 9...2000 Hz) conforming to EN/IEC 60028-2-6 |
| Shock resistance | 25 gn 11 ms conforming to EN/IEC 60068-2-27 |
| Resistance to electrostatic discharge | 15 kV (in air) conforming to EN/IEC 61000-4-2 8 kV (on contact) conforming to EN/IEC 61000-4-2 |
| Resistance to electromagnetic fields | 182.88 V/yd (200 V/m) (80...1000 Hz) conforming to EN/IEC 61000-4-3 |
| Resistance to fast transients | 4 kV conforming to EN/IEC 61000-4-4 |
| Resistance to conducted disturbances | 30 V (0.15...80 Hz) conforming to EN/IEC 61000-4-6 |
| Resistance to magnetic fields | 30 A/m conforming to EN/IEC 61000-4-8 |
| IP degree of protection | IP66 conforming to EN/IEC 60529 IP67 conforming to EN/IEC 60529 |
| NEMA degree of protection | NEMA 4 |

Ordering and shipping details

| | |
|-----------------------|--------------------------------------|
| Category | 22661 - XMLA,B,C,D PRESSURE SWITCHES |
| Discount Schedule | DS2 |
| GTIN | 003389118048157 |
| Nbr. of units in pkg. | 1 |
| Package weight(Lbs) | 0.20000000000000001 |
| Returnability | N |
| Country of origin | CH |

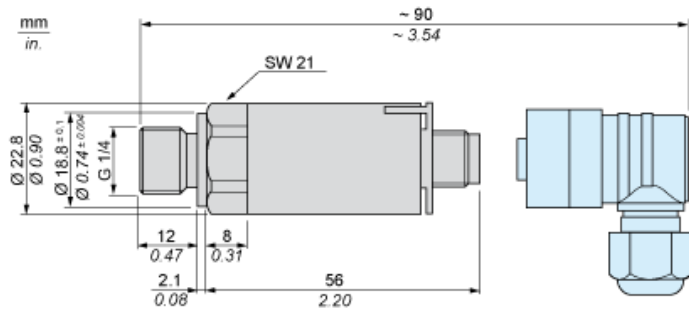
Offer Sustainability

| | |
|------------------------|---|
| RoHS (date code: YYWW) | Compliant - since 0627 - Schneider Electric declaration of conformity Schneider Electric declaration of conformity |
|------------------------|---|

Contractual warranty

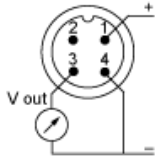
| | |
|-----------------|-----------|
| Warranty period | 18 months |
|-----------------|-----------|

Dimensions



Wiring Diagram

3-Wire Technique (0-10 V)



Output Curves

