

Price\* : 2,104.00 USD



XACB693 has not been replaced. Please contact your customer care center for more information.

⚠ Discontinued

### Main

|                           |                         |
|---------------------------|-------------------------|
| Range of product          | Harmony XAC             |
| Product or component type | Pendant control station |
| Device short name         | XACB                    |

### Complementary

|                                       |  |
|---------------------------------------|--|
| Control station type                  | Double insulated   |
| Enclosure material                    | Glass reinforced polyester   |
| Electrical circuit type               | Power circuit  |
| Enclosure type                        | Complete ready for use   |
| Control station application           | Control of single speed hoist motor  |
| Control station composition           | 6 push-buttons   |
| Control button type                   | First push-button 3-pole raise, slow<br>Second push-button 3-pole lower, slow<br>Fourth push-button 3-pole left, slow<br>Third push-button 3-pole right, slow<br>Fifth push-button 3-pole forward slow<br>Sixth push-button 3-pole reverse, slow |
| Product compatibility                 | XESD2201 for reversing operation   |
| Mechanical interlocking               | With mechanical interlocking between pairs   |
| Control station colour                | Yellow   |
| Connections - terminals               | Screw clamp terminals 1 x 2.5 mm <sup>2</sup> with or without cable end<br>Screw clamp terminals 2 x 1.5 mm <sup>2</sup> with or without cable end   |
| Standards                             | EN/IEC 60204-32<br>EN/IEC 60947-5-1<br>CSA C22.2 No 14   |
| Product certifications                | CSA type 4   |
| Protective treatment                  | TH   |
| Ambient air temperature for operation | -13...158 °F (-25...70 °C)   |
| Ambient air temperature for storage   | -40...158 °F (-40...70 °C)   |
| Vibration resistance                  | 15 gn 10...500 Hz IEC 60068-2-6  |
| Shock resistance                      | 100 gn IEC 60068-2-27  |
| Overvoltage category                  | Class II IEC 61140   |
| IP degree of protection               | IP65 IEC 60529   |
| Mechanical durability                 | 1000000 cycles   |

Disclaimer: This documentation is not intended as a substitute for and is not to be used for determining suitability or reliability of these products for specific user applications

|  |  |
|--|--|
| Cable entry                                  | Rubber sleeve with stepped entry 10...22 mm  |
| [Ithe] conventional enclosed thermal current | 20 A   |
| [Ui] rated insulation voltage                | 300 V CSA<br>500 V 3 IEC 60947-1   |
| [Uimp] rated impulse withstand voltage       | 6 kV IEC 60947-1   |
| Contact operation                            | Snap action  |
| Operating force                              | 32 N push-button   |
| Short-circuit protection                     | <= 12 A fuse protection cartridge aM   |
| Rated power in hp                            | 3 hp 240 V   |
| Rated operational power in W                 | 3000 W 240 V<br>3000 W 400 V   |
| Electrical durability                        | 1000000 cycles AC-3 3000 W 400 V 10 cyc/mn 0.4 IEC 60947-3 appendix A<br>1000000 cycles AC-4 3000 W 400 V 10 cyc/mn 0.4 IEC 60947-3 appendix A<br>700000 cycles AC-3 3000 W 240 V 10 cyc/mn 0.4 IEC 60947-3 appendix A<br>700000 cycles AC-4 3000 W 240 V 10 cyc/mn 0.4 IEC 60947-3 appendix A |
| Terminals description ISO n°1                | (13-14)NO<br>(23-24)NO<br>(33-34)NO<br>(53-54)NO<br>(63-64)NO<br>(73-74)NO   |
| Terminal identifier                          | (11-12)NC<br>(13-14)NO   |
| Product weight                               | 3.42 lb(US) (1.55 kg)  |

### Ordering and shipping details

|                       |                                      |
|-----------------------|--------------------------------------|
| Category              | 18407 - WORLD SERVICE PARTS(SENSORS) |
| Discount Schedule     | T                                    |
| Nbr. of units in pkg. | 1                                    |
| Package weight(Lbs)   | 4.4800000000000004                   |
| Returnability         | N                                    |

### Offer Sustainability

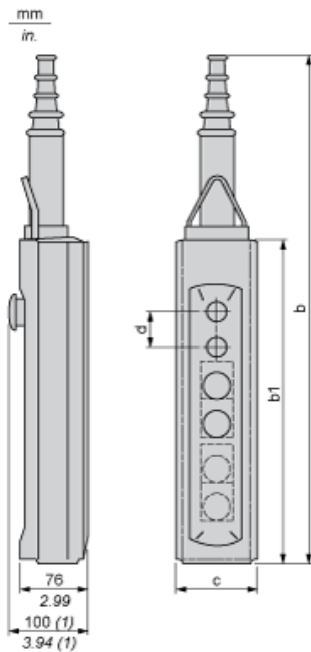
|                           |  |
|---------------------------|--|
| California proposition 65 | WARNING: This product can expose you to chemicals including:   |
| ----- Substance 1         | Nickel compounds, which is known to the State of California to cause cancer, and   |
| ----- Substance 2         | Di-isodecyl phthalate (DIDP), which is known to the State of California to cause birth defects or other reproductive harm. |
| ----- More information    | For more information go to <a href="http://www.p65warnings.ca.gov">www.p65warnings.ca.gov</a>                              |

### Contractual warranty

|                 |           |
|-----------------|-----------|
| Warranty period | 18 months |
|-----------------|-----------|

Dimensions

Below drawing shows a product with 6 cut-outs. Select the number of cut-outs according to the product characteristics in order to get b, b1 and c dimensions.



(1) With mushroom head operator

Dimensions in mm

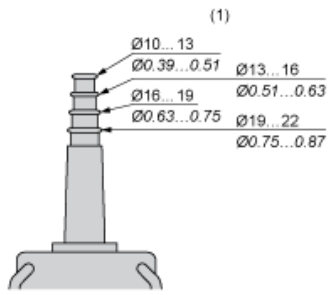
| Number of cut-outs | 2   | 4   | 6   | 8   | 12  |
|--------------------|-----|-----|-----|-----|-----|
| b                  | 409 | 499 | 589 | 679 | 679 |
| b1                 | 220 | 310 | 400 | 490 | 490 |
| c                  | 98  | 98  | 98  | 98  | 98  |
| d                  | 40  | 40  | 40  | 40  | 30  |

Dimensions in in.

| Number of cut-outs | 2     | 4     | 6     | 8     | 12    |
|--------------------|-------|-------|-------|-------|-------|
| b                  | 16.10 | 19.64 | 23.19 | 26.73 | 26.73 |
| b1                 | 8.66  | 12.20 | 15.75 | 19.29 | 19.29 |
| c                  | 3.86  | 3.86  | 3.86  | 3.86  | 3.86  |
| d                  | 1.57  | 1.57  | 1.57  | 1.57  | 1.18  |

## Protective cable sleeves

mm  
in.



(1) Internal  $\varnothing$

## Control of Single-Speed Reversing Motor 3-Phase switching, Reversing by 2-Phase Inversion

With XESD2201 contact block, to be ordered separately

