

Product data sheet

Characteristics

VW3A7603R20

braking resistor - 27 ohm - 200 W - cable 2 m - IP65

Price* : 239.00 USD

VW3A7603R20 has not been replaced. Please contact your customer care center for more information.



⚠ Discontinued

Main

Range of product	Altivar Lexium
Product or component type	Braking resistor
Range compatibility	Lexium 05 Lexium 15 Lexium 32 Lexium 32i Lexium 28 Lexium 52 Lexium 16D
Ohmic value	27 Ohm
Continuous power	200 W
Cable length	6.56 ft (2 m)

Complementary

Energy peak	9700 J at 115 V 4300 J at 480 V 4900 J at 400 V 7400 J at 230 V
Protection type	Thermal protection via the servo drive
Product weight	2.38 lb(US) (1.08 kg)

Environment

Ambient air temperature for operation	32...122 °F (0...50 °C)
Ambient air temperature for storage	-13...185 °F (-25...85 °C)
IP degree of protection	IP65
IP degree of protection	IP65

Ordering and shipping details

Category	18305 - MOTION CONTROL CONNECTORS & ACCESS
Discount Schedule	PC51
Nbr. of units in pkg.	1
Package weight(Lbs)	2.2000000000000002

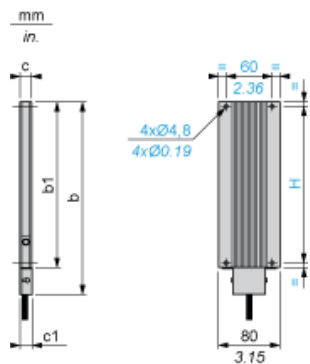
Returnability	N
Country of origin	DE

Contractual warranty

Warranty period	18 months
-----------------	-----------

Braking Resistor

Dimensions



Dimensions in mm

b	b1	c	c1	H
251	216	15	15.5	204

Dimensions in in.

b	b1	c	c1	H
9.88	8.50	0.59	0.61	8.03