

TSXDSY08R5AC

discrete output module - 8 relay protected output -
24..240V AC - 5 A

Product availability : Non-Stock - Not normally stocked in distribution facility

Price* : 957.95 USD



ⓘ Discontinued

TSXDSY08R5AC has not been replaced. Please contact your customer care center for more information.

Main

Range of product	Modicon Premium Automation platform
Product or component type	Discrete output module
Discrete output number	8
Discrete output type	Relay protected
Discrete output voltage	24...240 V AC conforming to EN/IEC 61131-2 20...264 V 24...48 V DC conforming to EN/IEC 61131-2 19...60 V

Complementary

[I _{th}] conventional free air thermal current	5 A
Response time	< 10 ms activation < 15 ms deactivation
Contacts type and composition	2 x 2 C/O + 2 x 2 NO
Output overvoltage protection	RC circuit and Ge-Mov
Output overload protection	6.3 A, interchangeable fuse per common fast blow
Short-circuit protection	6.3 A, interchangeable fuse per common fast blow
Isolation resistance	> 10 MOhm 500 V
Power dissipation	(0.25 W + 0.24 W x No of outputs at state 1)
Electrical durability	1000000 cycles DC-12 24 W 24 V resistive 1000000 cycles DC-12 50 W 48 V resistive 1000000 cycles DC-3 24 W 24 V inductive 1000000 cycles DC-3 50 W 48 V inductive 2000000 cycles DC-3 10 W 24 V inductive 2000000 cycles DC-3 24 W 48 V inductive 300000 cycles DC-12 100 W 48 V resistive 300000 cycles DC-12 50 W 24 V resistive 1000000 cycles AC-12 100 VA 48 V resistive 2000000 cycles AC-14 50 VA 48 V inductive 2000000 cycles AC-15 50 VA 48 V inductive 500000 cycles AC-12 200 VA 48 V resistive 500000 cycles AC-14 50 VA 24 V inductive 500000 cycles AC-15 50 VA 24 V inductive 5000000 cycles AC-14 20 VA 48 V inductive 5000000 cycles AC-15 20 VA 48 V inductive 700000 cycles AC-12 100 VA 24 V resistive 100000 cycles AC-14 440 VA 220...240 V inductive 100000 cycles AC-15 440 VA 220...240 V inductive

Disclaimer: This documentation is not intended as a substitute for and is not to be used for determining suitability or reliability of these products for specific user applications

1000000 cycles AC-12 220 VA 100...120 V resistive
 1000000 cycles AC-12 440 VA 220...240 V resistive
 1000000 cycles AC-14 220 VA 220...240 V inductive
 1000000 cycles AC-15 220 VA 220...240 V inductive
 10000000 cycles AC-14 20 VA 100...120 V inductive
 10000000 cycles AC-14 20 VA 220...240 V inductive
 10000000 cycles AC-15 20 VA 100...120 V inductive
 10000000 cycles AC-15 20 VA 220...240 V inductive
 150000 cycles AC-14 220 VA 100...120 V inductive
 150000 cycles AC-15 220 VA 100...120 V inductive
 1500000 cycles AC-14 110 VA 100...120 V inductive
 1500000 cycles AC-15 110 VA 100...120 V inductive
 3000000 cycles AC-14 110 VA 220...240 V inductive
 3000000 cycles AC-15 110 VA 220...240 V inductive
 500000 cycles AC-12 440 VA 100...120 V resistive

Marking	CE
Electrical connection	Screw terminal block
Current consumption	55 mA 5 V DC 80 mA 24 V DC rack
Module format	Standard
Product weight	0.93 lb(US) (0.42 kg)

Environment

Dielectric strength	2000 V 50/60 Hz 60 s
Standards	73/23/EEC 89/336/EEC 92/31/EEC 93/68/EEC CSA C22.2 No 142 IEC 61131-2 UL 508 CSA C22.2 No 213 Class I Division 2 Group A CSA C22.2 No 213 Class I Division 2 Group B CSA C22.2 No 213 Class I Division 2 Group C CSA C22.2 No 213 Class I Division 2 Group D
Product certifications	ABS BV DNV GL LR RINA RMRS
Ambient air temperature for operation	32...140 °F (0...60 °C)
Ambient air temperature for storage	-13...158 °F (-25...70 °C)
Relative humidity	10...95 % without condensation for operation 5...95 % without condensation for storage
Operating altitude	0...6561.68 ft (0...2000 m)
Protective treatment	Conformal coating Humiseal 1A33 TC
IP degree of protection	IP20
Pollution degree	2

Ordering and shipping details

Category	22558 - TSX PREMIUM, ATRIUM & PL7 PRO
Discount Schedule	PC22
GTIN	003595863958447
Nbr. of units in pkg.	1
Package weight(Lbs)	2.21
Returnability	N
Country of origin	FR

Offer Sustainability

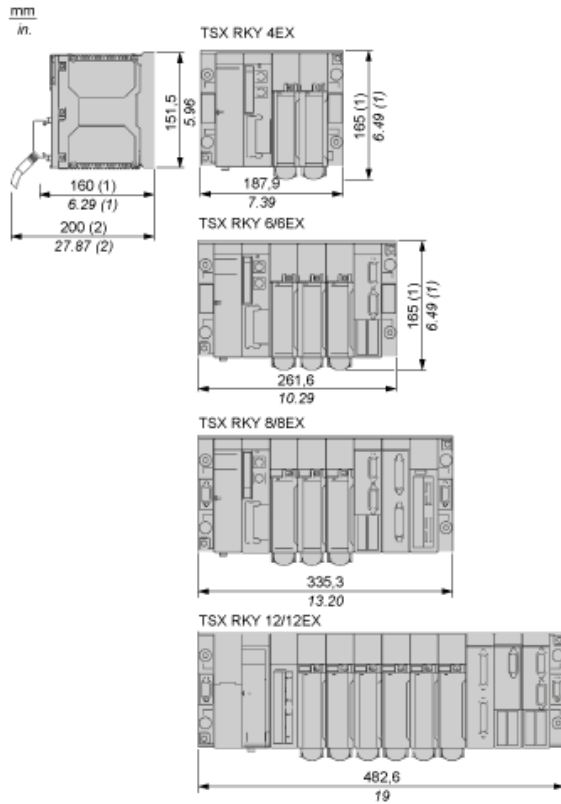
RoHS (date code: YYWW)	Compliant - since 0908 - Schneider Electric declaration of conformity Schneider Electric declaration of conformity
REACH	Reference not containing SVHC above the threshold Reference not containing SVHC above the threshold

Contractual warranty

Warranty period	18 months
-----------------	-----------

Standard and Extendable Racks for Modules Mounting

Dimensions of Modules and Racks

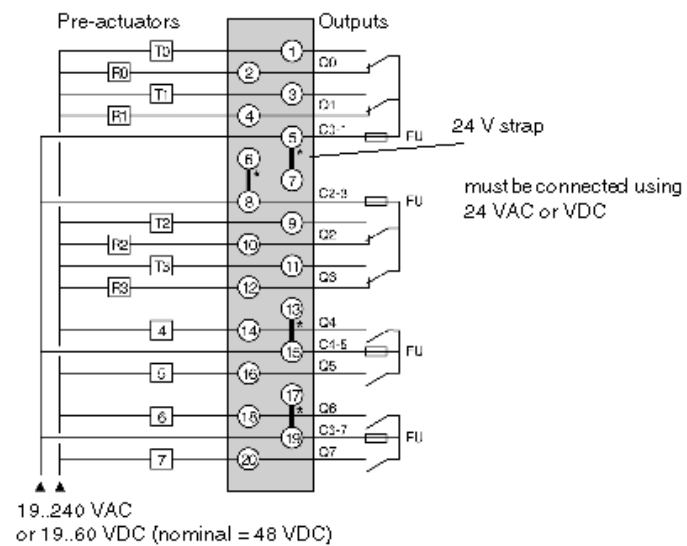


(1) With screw terminal block modules.

(2) Maximum depth for all types of modules and their associated connectors.

Discrete Relay Output 8-Channel Module for 5 A Thermal Current

Wiring Diagram



FU 6.3 A quick-blow fuse