

# TSXDMY28RFK

discrete I/O module Modicon Premium - 16 I 24 V  
DC - 12 O solid state

Price\* : 1,602.00 USD



TSXDMY28RFK has not been replaced. Please contact your customer care center for more information.

⚠ Discontinued

## Main

Range of product	Modicon Premium Automation platform
Product or component type	Discrete I/O modules
Discrete I/O number	28
Discrete input number	16 current sink fast input - conforming to IEC 1131-2 Type 1
Input logic	Positive
Input voltage	24 V 3.5 mA DC

## Complementary

Voltage state 1 guaranteed	$\geq 11$ V
Current state 1 guaranteed	$\geq 3$ mA
Voltage state 0 guaranteed	$\leq 5$ V
Current state 0 guaranteed	$\leq 1.5$ mA
Sensor power supply	19...30 V
Filter time	0.1 to 7.5 ms by configuration 4 ms by default
Paralleling of inputs	Yes
Input compatibility	2-wire/3-wire proximity sensor
Insulation resistance	$> 10$ MOhm 500 V DC
Power dissipation	1.2 W + 0.1 x number of input at 1
Discrete output number	12
Tungsten load	6 W solid state output
Output voltage	24 V 0.5 A
Discrete output type	Reflex or time delayed
Output voltage limits	19...30 V
Maximum output current	4 A by module 0.5 A by channel
Leakage current	$< 1$ mA at state 0
[Ures] residual voltage	$< 1.2$ V at state 1
Load impedance	$\geq 48$ W
Response time on output	0.6 ms
Switching frequency	0.5/LI <sup>2</sup> Hz
Output overvoltage protection	By transil diode

Disclaimer: This documentation is not intended as a substitute for and is not to be used for determining suitability or reliability of these products for specific user applications

Reverse polarity protection	Reversed diode
Preactuator voltage detection threshold	16 V
Electrical connection	2 connectors HE-10
Current consumption	300 mA 5 V DC 75 mA 24 V DC
Module format	Standard

## Environment

Dielectric strength	1500 V 50/60 Hz for 1 minute
Derating factor	60 % of inputs at state 1 at 140 °F (60 °C) fast input 60 % of the maximum current of the module at 140 °F (60 °C) solid state output
Ambient air temperature for operation	32...140 °F (0...60 °C)
Ambient air temperature for storage	-13...158 °F (-25...70 °C)
Relative humidity	5...95 % without condensation
Operating altitude	<= 6561.68 ft (2000 m)

## Ordering and shipping details

Category	22558 - TSX PREMIUM, ATRIUM & PL7 PRO
Discount Schedule	PC22
Nbr. of units in pkg.	1
Package weight(Lbs)	2.21
Returnability	N
Country of origin	FR

## Offer Sustainability

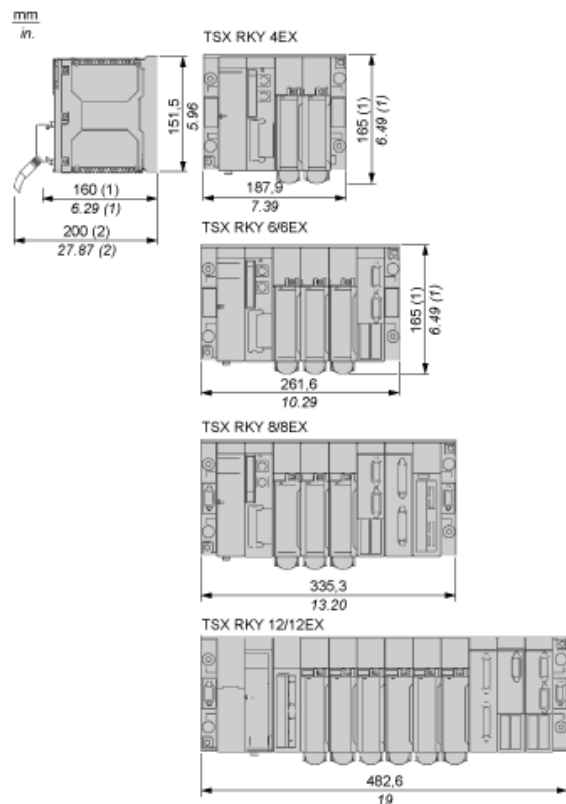
RoHS (date code: YYWW)	Compliant - since 0901 - Schneider Electric declaration of conformity <a href="#">Schneider Electric declaration of conformity</a>
REACH	Reference not containing SVHC above the threshold <a href="#">Reference not containing SVHC above the threshold</a>
Product end of life instructions	Need no specific recycling operations
California proposition 65	WARNING: This product can expose you to chemicals including:
- - - - - Substance 1	Lead and lead compounds which is known to the State of California to cause cancer and birth defects or other reproductive harm.
- - - - - More information	For more information go to <a href="http://www.p65warnings.ca.gov">www.p65warnings.ca.gov</a>

## Contractual warranty

Warranty period	18 months
-----------------	-----------

## Standard and Extendable Racks for Modules Mounting

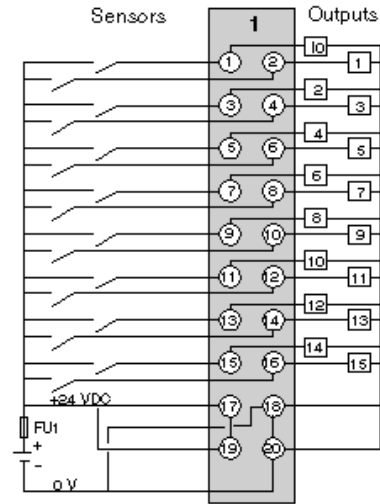
### Dimensions of Modules and Racks



- (1) With screw terminal block modules.
- (2) Maximum depth for all types of modules and their associated connectors.

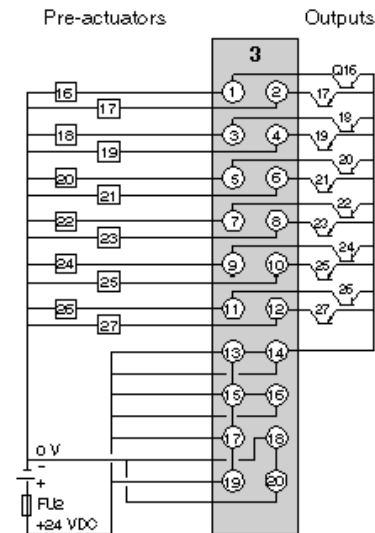
24 Vdc Input/Output 28-Channel Module

Wiring Diagram with Sensors



FU1 0.5 A quick-blow fuse.

Wiring Diagram with Pre-Actuators



FU2 10 A quick-blow fuse.