

Product availability : Non-Stock - Not normally stocked in distribution facility



Price\* : 381.00 USD



### Main

Range of product	Modicon M238 logic controller
Product or component type	Analog output module
Analogue output number	1
Analogue output type	Current 4...20 mA Voltage 0...10 V

### Complementary

Range compatibility	Advantys OTB Twido
Analogue output resolution	12 bits
LSB value	2.5 mV voltage voltage 4.8 µA current current
Load type	Resistive
Load impedance ohmic	<= 300 Ohm current >= 2000 Ohm voltage
Stabilisation time	10 ms
Conversion time	10 ms + 1 controller cycle time
Measurement error	+/- 0.2 % of full scale 25 °C
Temperature coefficient	+/-0.015 %FS/°C
Repeat accuracy	+/-0.5 %FS
Non-linearity	+/- 0.2 %FS
Output ripple	<= 1 LSB
Total error	+/-1 %FS
Type of cable	Twisted shielded cable
Insulation between channel and internal logic	Photocoupler
Supply	External supply

[Us] rated supply voltage	24 V DC
Supply voltage limits	19.2...30 V
Electrical connection	1 removable screw terminal block
Current consumption	40 mA 24 V DC external 50 mA 5 V DC internal
Product weight	0.19 lb(US) (0.085 kg)

## Environment

Dielectric strength	500 V between the I/O and internal logic 500 V between the I/O and the external supply circuit
Width	0.93 in (23.5 mm)
Depth	2.76 in (70 mm)
Height	3.54 in (90 mm)

## Ordering and shipping details

Category	22531 - PLCS, TWIDO, TWD
Discount Schedule	PC12
GTIN	00785901665588
Nbr. of units in pkg.	1
Package weight(Lbs)	0.29999999999999999
Returnability	N
Country of origin	JP

## Offer Sustainability

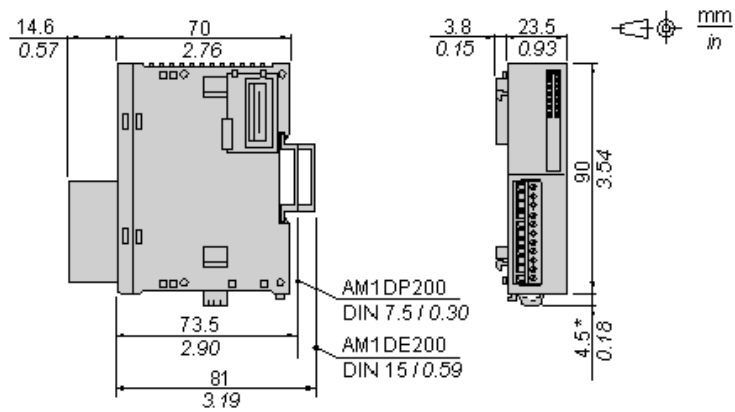
Sustainable offer status	Green Premium product
RoHS (date code: YYWW)	Compliant - since 1039 - Schneider Electric declaration of conformity <a href="#">Schneider Electric declaration of conformity</a>
REACH	Reference not containing SVHC above the threshold <a href="#">Reference not containing SVHC above the threshold</a>
Product environmental profile	Available
Product end of life instructions	Available
California proposition 65	WARNING: This product can expose you to chemicals including:
----- Substance 1	Lead and lead compounds, which is known to the State of California to cause cancer and birth defects or other reproductive harm.
----- More information	For more information go to <a href="http://www.p65warnings.ca.gov">www.p65warnings.ca.gov</a>

## Contractual warranty

Warranty period	18 months
-----------------	-----------

Analog Output Module (1-channel, Voltage/Current)

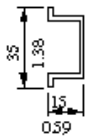
Dimensions



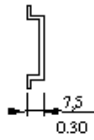
NOTE: \* 8.5 mm (0.33 in) when the clip-on lock is pulled out.

DIN Rail Mounting

AM1DE200  
IEC/EN 60715



AM1DP200



AM1ED200



DZ5MB200

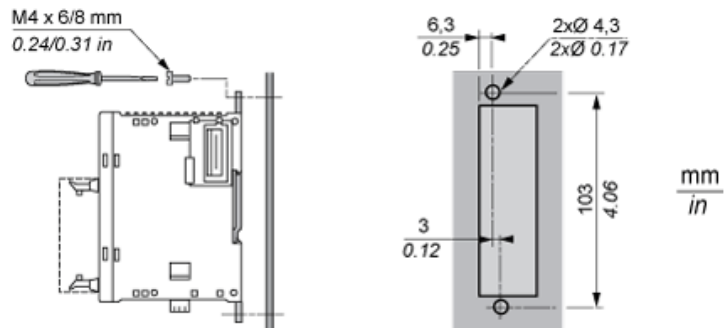


Rail depth	Catalogue part number
15 mm (0.59 in.)	AM1DE200
7,5 mm (0.30 in.)	AM1DP200

NOTE: Do not use AM1ED200 and DZ5MB200

Module Mounting on a Panel Surface

Mounting Hole Layout



Wiring Requirements

Cable Types and Wire Sizes for Removable Screw Terminal Block

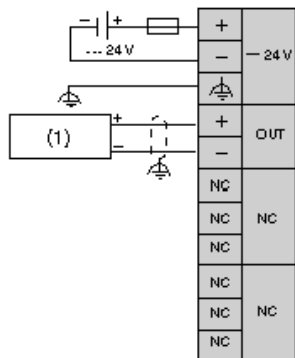
mm <sup>2</sup>	0,14...1,5	0,25...0,5	0,25...1,5	0,14...0,5	0,14...0,75	0,25...0,34	0,5
AWG	26...16	24...20	24...16	26...20	26...18	24...22	20

---

Analog Output Module (1-channel, Voltage/Current)

---

Wiring Diagram



(1) Voltage/current preactuator