

TM2AMI8HT

analog input module M238 - 8 inputs voltage/
current - non differential

Product availability : Stock - Normally stocked in distribution facility



Price* : 420.00 USD



Main

Range of product	Modicon M238 logic controller
Product or component type	Analog input module
Analogue input number	8
Analogue input type	Current 4...20 mA non differential Voltage 0...10 V non differential
Cross talk	≤ 1 LSB

Complementary

Range compatibility	Advantys OTB Twido
Analogue input resolution	10 bits
LSB value	19.5 μ A current 9.7 mV voltage
Permissible continuous overload	13 V voltage 40 mA current
Input impedance	≥ 10 kOhm voltage 470 Ohm current
Sampling duration	160 ms
Acquisition period	160 ms per channel + 1 controller cycle time
Measurement error	± 0.2 % of full scale 25 °C
Temperature coefficient	± 0.01 %FS/°C
Repeat accuracy	± 0.4 %FS
Non-linearity	± 0.002 %FS
Total error	± 1 %FS
Type of cable	Shielded cable
Insulation between channel and internal logic	Photocoupler
Supply	External supply

[Us] rated supply voltage	24 V DC
Supply voltage limits	20.4...28.8 V
Electrical connection	1 removable screw terminal block power supply 1 removable screw terminal block sensors
Current consumption	45 mA 24 V DC external 60 mA 5 V DC internal
Product weight	0.19 lb(US) (0.085 kg)

Environment

Dielectric strength	2500 V between the I/O and internal logic
Width	0.93 in (23.5 mm)
Depth	2.76 in (70 mm)
Height	3.54 in (90 mm)

Ordering and shipping details

Category	22531 - PLCS, TWIDO, TWD
Discount Schedule	PC12
GTIN	00785901590750
Nbr. of units in pkg.	1
Package weight(Lbs)	0.34000000000000002
Returnability	N
Country of origin	FR

Offer Sustainability

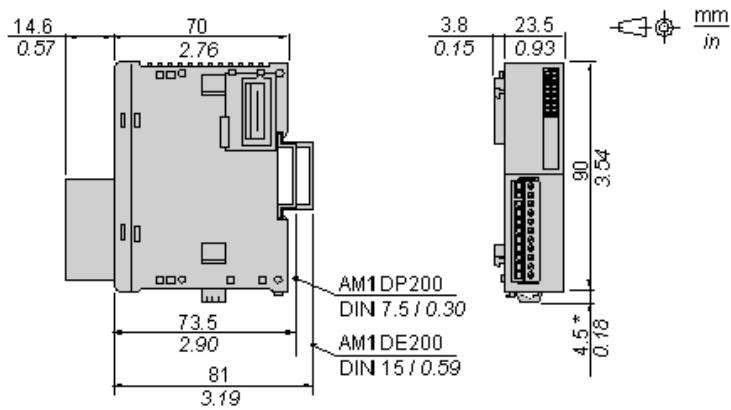
Sustainable offer status	Green Premium product
RoHS (date code: YYWW)	Compliant - since 1039 - Schneider Electric declaration of conformity Schneider Electric declaration of conformity
REACH	Reference not containing SVHC above the threshold Reference not containing SVHC above the threshold
Product environmental profile	Available
Product end of life instructions	Available
California proposition 65	WARNING: This product can expose you to chemicals including:
----- Substance 1	Lead and lead compounds, which is known to the State of California to cause cancer and birth defects or other reproductive harm.
----- More information	For more information go to www.p65warnings.ca.gov

Contractual warranty

Warranty period	18 months
-----------------	-----------

Analog Input Module (8-channel, Voltage/Current)

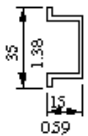
Dimensions



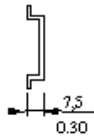
NOTE: * 8.5 mm (0.33 in) when the clip-on lock is pulled out.

DIN Rail Mounting

AM1DE200
 IEC/EN 60715



AM1DP200



AM1ED200



DZ5MB200

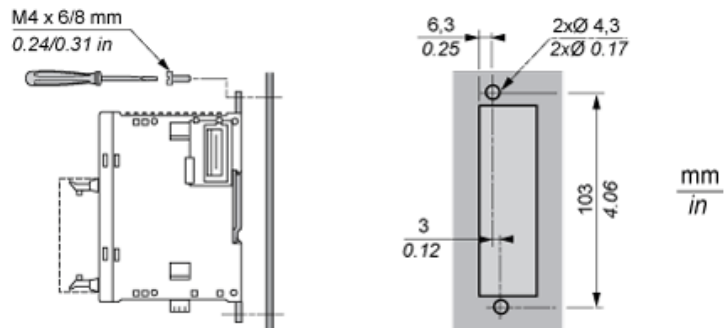


Rail depth	Catalogue part number
15 mm (0.59 in.)	AM1DE200
7,5 mm (0.30 in.)	AM1DP200

NOTE: Do not use AM1ED200 and DZ5MB200

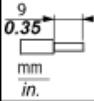

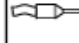
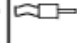



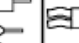
Module Mounting on a Panel Surface

Mounting Hole Layout



Wiring Requirements

Cable Types and Wire Sizes for Removable Screw Terminal Block

							
	mm ²	0,14...1,5	0,25...0,5	0,25...1,5	0,14...0,5	0,14...0,75	0,25...0,34
AWG	26...16	24...20	24...16	26...20	26...18	24...22	20

Analog Input Module (8-channel, Voltage/Current)

Wiring Diagram

