

Product availability : Non-Stock - Not normally stocked in distribution facility

Price** : 161.82 USD



Main

Range of product	Modicon M171/M172
Product or component type	Controller
Product specific application	HVAC and pumping solution
Variant	Programmable
Total inputs/outputs	22
Discrete input number	6
Discrete output number	1For open collector 3For relay outputs SPST with same common 2For relay outputs SPST with independent common
Discrete output current	2 AFor relay
Analogue input number	3 analog input NTC 2 configurable
Analogue output number	3 voltage 0...10 V 2 PWM/PPM 20 kHz, 12 V, 35 mA

Complementary

Number of port	1 LAN expansion bus
Input/Output number	5 analog output(s) 6 digital input(s) 5 analog input(s) 6 digital output(s)
Discrete input logic	Sink or source (positive/negative)
Contacts usage	Volt-free contacts
Analogue input type	Voltage 0...1 V Voltage 0...5 V (ratiometric) NTC temperature probe - 50...100 °C - resolution: 0.1 °C Voltage 0...10 V Current 0...20 mA/4...20 mA
Sensor power supply	12 V DC at 85 mA 5 V DC at 20 mA
[Us] rated supply voltage	12...24 V +/- 20% AC/DC 24 V +/- 20% DC
Power consumption in W	18 W at 24...48 V AC/DC
Realtime clock	Built-in clock at -10...55 °C
Display type	Without display

Overvoltage category	II
Local signalling	Programmable: 1 LED (red) Programmable: 1 LED (yellow) Programmable: 1 LED (green)
Mounting support	DIN rail
Width	5.51 in (140 mm)
Height	4.33 in (110 mm)
Depth	2.43 in (61.6 mm)
Product weight	0.85 lb(US) (0.385 kg)

Environment

Directives	2006/95/EC - low voltage directive 86/188/EEC - physical agents (noise) directive 2011/65/EU - RoHS directive 1907/2006/EC - REACH directive
Standards	EN/IEC 60730
Product certifications	CE CSA cURus EAC
Ambient air temperature for operation	14...131 °F (-10...55 °C) conforming to UL 60730-1
Ambient air temperature for storage	-40...185 °F (-40...85 °C)
Relative humidity	10...90 % non-condensing
IP degree of protection	IP20
Pollution degree	2

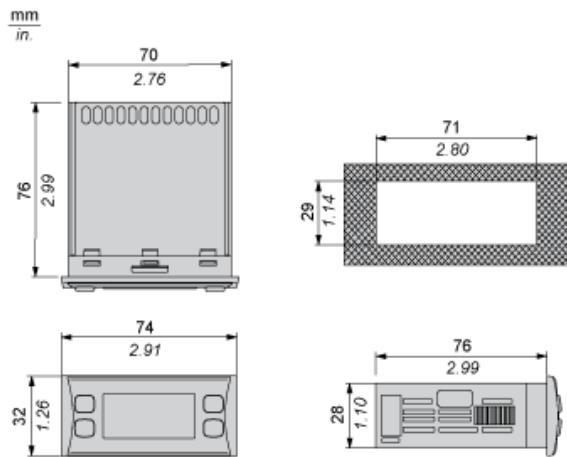
Ordering and shipping details

Category	22537 - M171 / M172 HVAC CONTROLLERS
Discount Schedule	PC12
GTIN	003606480752803
Nbr. of units in pkg.	1
Package weight(Lbs)	0.5
Returnability	N
Country of origin	IT

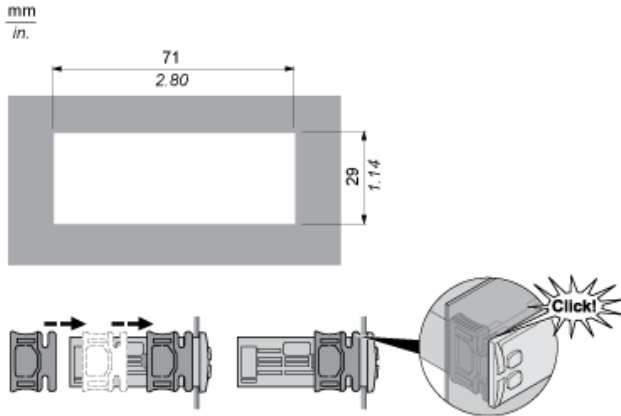
Offer Sustainability

RoHS (date code: YYWW)	Compliant - since 1429 - Schneider Electric declaration of conformity Schneider Electric declaration of conformity
REACH	Reference not containing SVHC above the threshold Reference not containing SVHC above the threshold
California proposition 65	WARNING: This product can expose you to chemicals including:
----- Substance 1	Lead and lead compounds which is known to the State of California to cause cancer and birth defects or other reproductive harm.
----- More information	For more information go to www.p65warnings.ca.gov

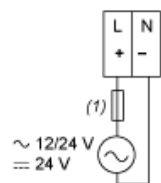
Dimensions



Mounting on Panel with the Special Brackets Provided

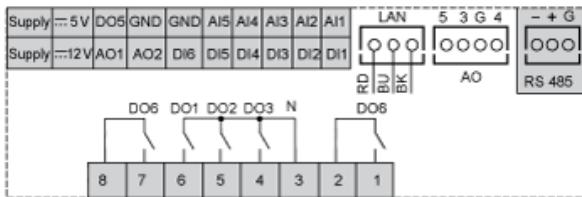
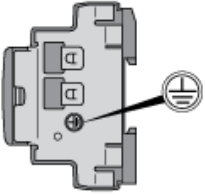


Power Supply



(1) Type T fuse (Controller: 1.25 A , Expansion: 1 A)

Wiring Diagram



- N : Neutral
- GND : Ground
- BK : Black
- BU : Blue
- RD : Red
- AI : Analogue input
- AO : Analogue output
- DI : Digital input
- DO : Digital output