

Product availability : Non-Stock - Not normally stocked in distribution facility



Price** : 158.00 USD



Main

Range of product	Modicon M171/M172
Product or component type	Controller
Product specific application	HVAC and pumping solution
Variant	Programmable
Total inputs/outputs	14
Discrete input number	2
Discrete output number	3For relay outputs SPST with same common 1For relay outputs SPDT with same common
Discrete output current	2 AFor relay
Analogue input number	3 analog input NTC 2 configurable
Analogue output number	2 voltage 0...10 V 2 PWM/PPM 20 kHz, 12 V, 35 mA 1 current 0...20 mA/4...20 mA

Complementary

Number of port	1 LAN expansion bus
Input/Output number	5 analog output(s) 4 digital output(s) 5 analog input(s)
Discrete input logic	Sink or source (positive/negative)
Contacts usage	Volt-free contacts
Analogue input type	Voltage 0...1 V Voltage 0...5 V (ratiometric) NTC temperature probe - 50...100 °C - resolution: 0.1 °C Pt 1000 temperature probe - 50...400 °C - resolution: 0.1 °C Voltage 0...10 V Current 0...20 mA/4...20 mA
Sensor power supply	12 V DC at 85 mA

[Us] rated supply voltage	100...240 V
---------------------------	-------------

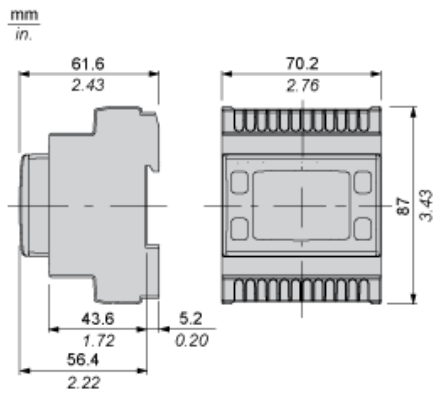
Ordering and shipping details

Category	22537 - M171 / M172 HVAC CONTROLLERS
Discount Schedule	PC12
GTIN	003606480752759
Nbr. of units in pkg.	1
Package weight(Lbs)	0.6400000000000001
Returnability	N
Country of origin	IT

Offer Sustainability

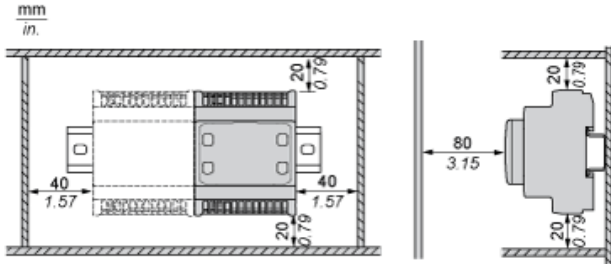
Sustainable offer status	Green Premium product
RoHS (date code: YYWW)	Compliant - since 1429 - Schneider Electric declaration of conformity Schneider Electric declaration of conformity
REACH	Reference not containing SVHC above the threshold Reference not containing SVHC above the threshold
Product environmental profile	Available
Product end of life instructions	Available
California proposition 65	WARNING: This product can expose you to chemicals including:
- - - - - Substance 1	Lead and lead compounds which is known to the State of California to cause cancer and birth defects or other reproductive harm.
- - - - - More information	For more information go to www.p65warnings.ca.gov

Dimensions

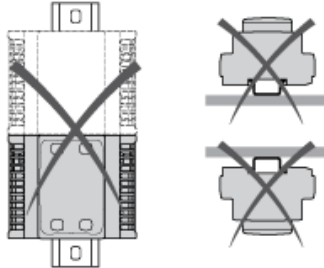


Mounting and Clearance

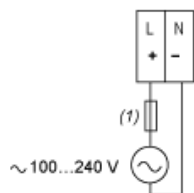
Clearance



Misplacement

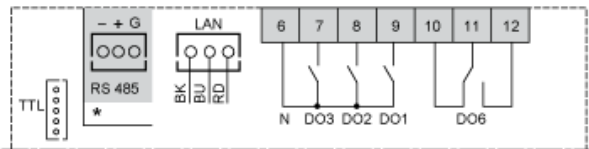


Power Supply



(1) Type T fuse 160 mA

Wiring Diagram



- N : Neutral
- GND : Ground
- BK : Black
- BU : Blue
- RD : Red
- AI : Analogue input
- AO : Analogue output
- DI : Digital input
- DO : Digital output