



⚠ Discontinued

## Main

Range of product	Zelio Relay
Product or component type	Solid state relay
Device short name	SSR
Phase	1 phase
Mounting support	Symmetrical DIN rail
Line Rated Current	10 A
Output voltage	24...280 V AC
[Uc] control circuit voltage	4...32 V DC

## Complementary

Contacts type and composition	1 NO
Tightening torque	0.6...0.7 N.m input 0.6...0.7 N.m output
Connections - terminals	Screw terminals 1 x 0.2...1 x 5.3 mm <sup>2</sup> input - AWG 24...AWG 10 Screw terminals 1 x 0.2...1 x 5.3 mm <sup>2</sup> output - AWG 24...AWG 10
Local signalling	Input status LED (green)
Switching voltage	4 V DC turn-on 1 V DC turn-off
Input current limits	8...12 mA
Solid state output type	Zero voltage switching SCR output
Load current	0.15...10 A
Output sustained overvoltage	600 V
Surge current	120 A 8.3 ms
Maximum voltage drop	<1.6 V on-state
Maximum I <sup>2</sup> t for fusing	60 A <sup>2</sup> .s 8.3 ms
Maximum leakage current	10 mA off-state
DV/Dt	500 V/μs off-state at maximum voltage
Response time	0.5 cycle turn-on) 0.5 cycle turn-off)

## Environment

Standards	CSA LR 40487 IEC 62314 IEC 60950-1 UL E258297
Marking	CE
IP degree of protection	IP20
Ambient air temperature for operation	-40...176 °F (-40...80 °C)
Ambient air temperature for storage	-40...257 °F (-40...125 °C)

## Ordering and shipping details

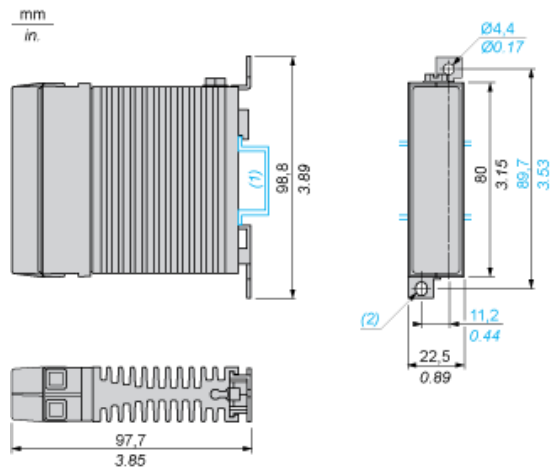
Category	22375-INTERFACE MODULE(ABA,R,S)
Discount Schedule	CP2
GTIN	00785901687726
Package weight(Lbs)	0.60 lb(US) (0.272 kg)
Returnability	No
Country of origin	MX

## Contractual warranty

Warranty	18 months
----------	-----------

Dimensions

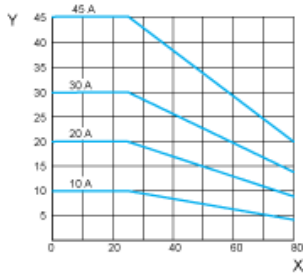
DIN Rail Mounting



- (1) 35 mm/1.37 in. DIN rail.
- (2) Ø 4.4 mm x 5.5 mm / Ø 0.17 in. x 0.22 in. elongated hole

## Thermal Derating Curves

### 10...45 A Relays



X Ambient temperature (°C)  
Y Output current (Arms)

Note : These are typical curves, actual durability depends on load, environment, duty cycle, etc.

### SSRDCDS10A1 is replaced by:



#### Solid State Relay SSM1A112BD

solid state relay - DIN rail mount - input 4-32 V DC, output 24-280 V AC ,12A

Qty 1

Reason for Substitution: End of life | Substitution date: 01 January 2017