

Product data sheet

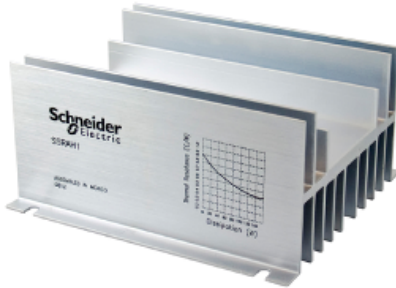
Characteristics

SSRAH1

heat sink for panel mounting relay - 0.7 °C/W -
sale per 1

Price* : 26.00 USD

SSRAH1 has not been replaced. Please contact your customer care center for more information.



! Discontinued

Main

Range of product	Zelio Relay
Accessory / separate part type	Heat sink

Complementary

Product compatibility	Solid state relay SSR in 10 A on panel Solid state relay SSR in 12 A on panel Solid state relay SSR in 25 A on panel Solid state relay SSR in 40 A on panel Solid state relay SSR in 50 A on panel
Thermal resistance	0.7 °C/W
Mounting support	Panel
Sale per indivisible quantity	1
Product weight	63.03 lb(US) (28.592 kg)

Ordering and shipping details

Category	22375 - INTERFACE MODULE(ABA,R,S)
Discount Schedule	CP2
GTIN	00785901941835
Nbr. of units in pkg.	1
Package weight(Lbs)	1.49
Returnability	N
Country of origin	MX

Offer Sustainability

RoHS (date code: YYWW)	Compliant - since 0940 - Schneider Electric declaration of conformity Schneider Electric declaration of conformity
------------------------	---

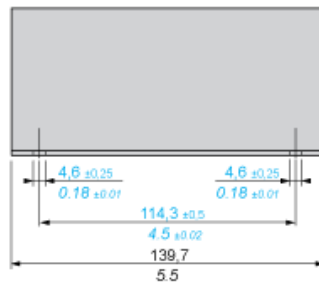
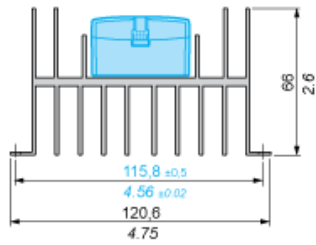
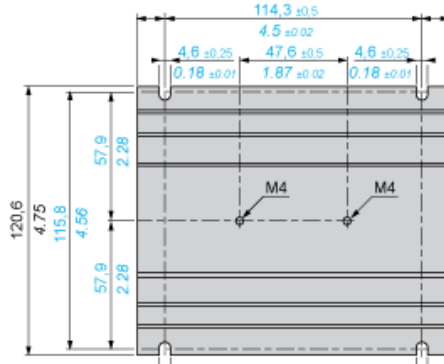
Contractual warranty

Warranty period	18 months
-----------------	-----------

Dimensions

Panel Mounting

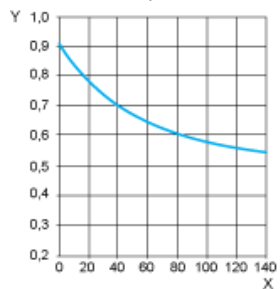
mm
in.



Dissipation Curve

Panel Mounting

Heat sink dissipation curve



X Dissipation (W)

Y Thermal resistance (°C/W)

Note : These are typical curves, actual durability depends on load, environment, duty cycle, etc.