

# Product data sheet

## Characteristics

# RPZF3

socket RPZ - mixed contact - 16 A - < 250 V -  
screw clamp - for relay RPM3

Product availability : Stock - Normally stocked in distribution facility

Price\* : 7.69 USD



### Main

Range of product	Zelio Relay
Product or component type	Socket
Contact terminal arrangement	Mixed
Product compatibility	Plug-in relay RPM (3 C/O)
Shape of pin	Flat
Device short name	RPZ
Sale per indivisible quantity	10

### Complementary

[I <sub>th</sub> ] conventional free air thermal current	15 A
System Voltage	< 250 V
Tightening torque	< 1 N.m (M3.5 screw(s))
Fixing mode	By screw mounting on panel Clip-on mounting on 35 mm symmetrical DIN rail
Marking	CE
Width	1.57 in (40 mm)
Product weight	0.16 lb(US) (0.072 kg)

### Environment

Connections - terminals	- screw clamp terminals, flexible cable with cable end 1 x 0.25...2 x 1 mm <sup>2</sup> / AWG 22...AWG 17 - screw clamp terminals, solid cable without cable end 1 x 0.5...2 x 1.5 mm <sup>2</sup> / AWG 20...AWG 16
Standards	IEC 61984
Product certifications	CSA UL
Ambient air temperature for storage	-40...185 °F (-40...85 °C)
Ambient air temperature for operation	-40...131 °F (-40...55 °C)
IP degree of protection	IP20 conforming to EN/IEC 60529
Dielectric strength	2500 V

## Ordering and shipping details

Category	21128 - ZELIO ICE CUBE RELAY ACCESSORIES
Discount Schedule	CP2
GTIN	00785901635659
Nbr. of units in pkg.	10
Package weight(Lbs)	0.16
Returnability	Y
Country of origin	TW

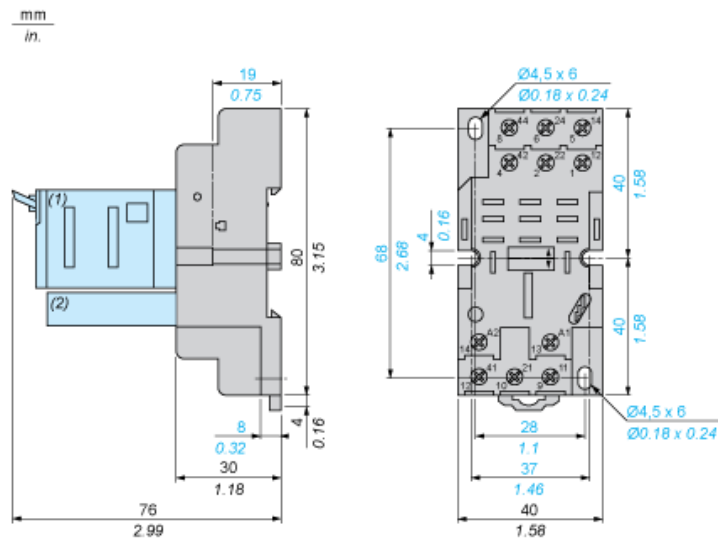
## Offer Sustainability

California proposition 65	WARNING: This product can expose you to chemicals including:
----- Substance 1	Nickel compounds, which is known to the State of California to cause cancer, and
----- Substance 2	Di-isodecyl phthalate (DIDP), which is known to the State of California to cause birth defects or other reproductive harm.
----- More information	For more information go to <a href="http://www.p65warnings.ca.gov">www.p65warnings.ca.gov</a>

## Contractual warranty

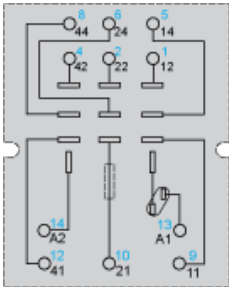
Warranty period	18 months
-----------------	-----------

Dimensions



- (1) Relays
- (2) Protection module
- (3) Maintaining clamp

Wiring Diagram



Symbols shown in blue correspond to Nema marking.