

Product data sheet

Characteristics

REG48PUNL1LHU

temperature control relay REG - 48 x 48 mm - 100..240 V AC - 1 solid state relay

Product availability : Non-Stock - Not normally stocked in distribution facility

Price* : 234.00 USD



REG48PUNL1LHU has not been replaced. Please contact your customer care center for more information.

⚠ Discontinued

Main

Range of product	Zelio Control
Product or component type	Modular measurement and control relays
Relay type	Temperature control relays
Product specific application	Heating or cooling HVAC Industrial machines Packaging
Relay name	REG

Complementary

Outer dimension	1/16 DIN 48 x 48 mm
Analogue input type	Thermocouple (thermocouple J, K, R, B, S, T, E, N, PLII) Temperature probe (temperature probe: Pt 100) Current 0...20 mA Current 4...20 mA Voltage 0...0.1 V Voltage 0...10 V Voltage 0...5 V Voltage 1...5 V Voltage 2...10 V
[Us] rated supply voltage	100...240 V AC
Supply voltage limits	85...264 V
Measurement accuracy	0.3 % full scale
Sampling duration	200 ms
Number of outputs	1 solid state output
Output type	Solid state 24 V DC 20 mA
Alarm output	2 C/O
Power consumption in VA	12 VA at 100...240 V AC
Function available	Auto tuning Fuzzy logic Hysteresis on-off Manual operation PID Ramp 16 steps Soft start

Disclaimer: This documentation is not intended as a substitute for and is not to be used for determining suitability or reliability of these products for specific user applications

Marking	CE
Operating position	Any position
Display type	7 segments LCD
Display digits	4
Signalling function	Setpoint value indicator (SV) with LED green Process output 1 active (C1) with LED red Process value with LCD display Alarm output 1 active (D01) with LED green Alarm output 2 active (D02) with LED green Process output 2 active (C2) with LED red Process value indicator (PV) with LED red Setpoint value with LCD display
Mounting support	Panel

Environment

Standards	EN 61010-1 EN 61326-1 CSA C22.2 No 24-93
Product certifications	CURus (873) GOST
Ambient air temperature for storage	-4...140 °F (-20...60 °C)
Ambient air temperature for operation	14...122 °F (-10...50 °C)
Relative humidity	90 % without condensation
Operating altitude	6561.68 ft (2000 m)
Storage altitude	0...9842.52 ft (0...3000 m)
Vibration resistance	1 gn at 10...70 Hz conforming to IEC 60068-2-6
Shock resistance	5 gn conforming to IEC 60068-2-27
IP degree of protection	(Front face) conforming to IEC 60529 (Rear)
NEMA degree of protection	NEMA 4X (front face)

Ordering and shipping details

Category	22380 - RELAYS-MEASUREMENT (RM17-RM35)
Discount Schedule	CP2
GTIN	00785901816041
Nbr. of units in pkg.	1
Package weight(Lbs)	0.40000000000000002
Returnability	N
Country of origin	JP

Offer Sustainability

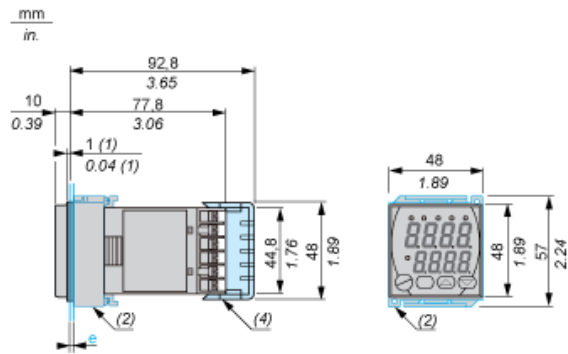
RoHS (date code: YYWW)	Compliant - since 0940 - Schneider Electric declaration of conformity Schneider Electric declaration of conformity
Product environmental profile	Available

Contractual warranty

Warranty period	18 months
-----------------	-----------

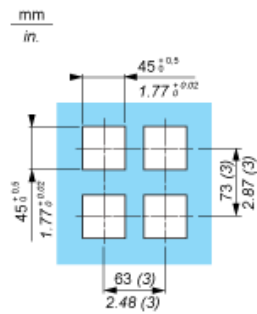
48 x 48 Size – 1/16 DIN Standard

Panel Mounting: Bracket Supplied



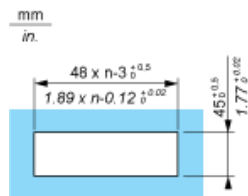
- (1) Seal
- (2) Fixing brackets supplied with REG temperature control relays.
- (4) Terminal block cover, to be ordered separately.

Panel cut-out



- (3) Minimum value.

Side stick mounting: n units (water-proof property lost in this case)



Temperature Control Relays

Wiring Diagram

