

Product data sheet

Characteristics

PAS44E2400

portal axis PAS E - profile size 110x110mm -
toothed belt - ball - stroke 2400mm



Main

Range of product	Lexium PAS E
Product or component type	Portal axis
Product specific application	For 1 direction
Load position	On carriage
Drive type	Toothed belt
Guide type	Ball

Complementary

Operating position	Horizontal
Typical payload	110.23 lb(US) (50 kg)
Distance per revolution	10.39 in (264 mm)
Operating force	<= 2600 N for Fx <= 6270 N for Fy <= 6270 N for Fz
Maximum speed	6.56 ft/s (2 m/s)
Maximum acceleration	49.21 ft/s ² (15 m/s ²)
Max. drive torque	<= 4 N.m
Max. torque	<= 5 N.m for Mx <= 11 N.m for My <= 17 N.m for Mz
Stroke	94.49 in (2400 mm)
Product weight	81.57 lb(US) (37 kg) at 0 stroke with carriage and motor 9.26 lb(US) (4.2 kg) of carriage 238.54 lb(US) (108.2 kg) total
Repeat accuracy	+/- 0.05 mm
Outer dimension	110 x 110 mm
Service life	30000 km
Associated module	BMH1401P06A2A servo motor (supplied) PLE120 planetary gearbox, reduction ratio: 5:1 (supplied) LXM32.D72N4 servo drive (not supplied)

Offer Sustainability

RoHS (date code: YYWW)	Compliant - since 1501 - Schneider Electric declaration of conformity
------------------------	---

 Schneider Electric declaration of conformity

REACH

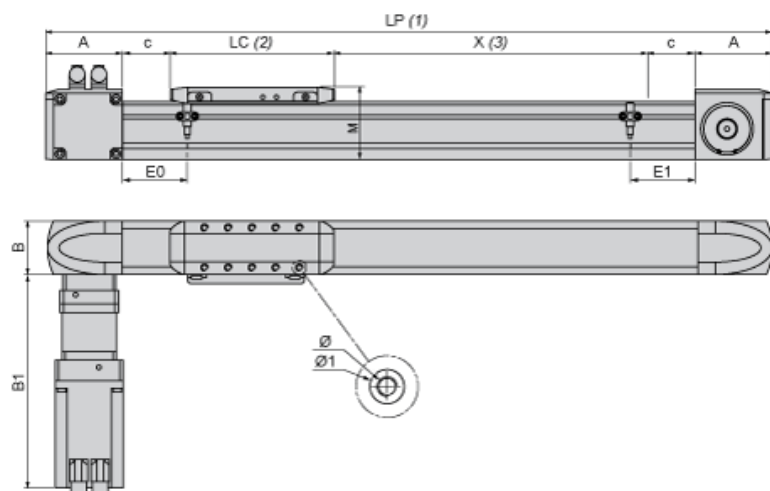
Reference not containing SVHC above the threshold
Reference not containing SVHC above the threshold

Contractual warranty

Warranty period

18 months

Size Characteristics



- (1) LP : total length of axis
- (2) LC : length of carriage
- (3) X : Stroke, refer to product characteristics.

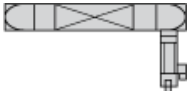
A	mm	146
	in.	5.75
B	mm	110
	in.	4.33
B1	mm	360
	in.	14.17
c	mm	40
	in.	1.57
E0	mm	110
	in.	4.33
E1	mm	110
	in.	4.33
LC	mm	310
	in.	12.20
LP	mm	= 372 + LC + X
	in.	= 14.64 + LC + X
M	mm	135
	in.	5.31
Ø	mm	M8 X 18
	in.	M8 X 0.70
Ø1	mm	12 ^{H7} X 2.1
	in.	12 ^{H7} X 0.08

Servo Motor Mounting

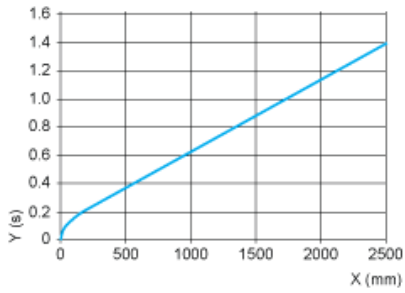
Standard servo motor mounting



Servo motor mounted on the left



Axis Positioning Time as a Function of the Stroke



X : Stroke
Y : Positioning time

Forces and Torques Exerted on the Lexium PAS E Portal Axis

