

Product data sheet

Characteristics

PAS44E1900

portal axis PAS E - profile size 110x110mm -
toothed belt - ball - stroke 1900mm



Main

Range of product	Lexium PAS E
Product or component type	Portal axis
Product specific application	For 1 direction
Load position	On carriage
Drive type	Toothed belt
Guide type	Ball

Complementary

Operating position	Horizontal
Typical payload	110.23 lb(US) (50 kg)
Distance per revolution	10.39 in (264 mm)
Operating force	<= 2600 N for Fx <= 6270 N for Fy <= 6270 N for Fz
Maximum speed	6.56 ft/s (2 m/s)
Maximum acceleration	49.21 ft/s ² (15 m/s ²)
Max. drive torque	<= 4 N.m
Max. torque	<= 5 N.m for Mx <= 11 N.m for My <= 17 N.m for Mz
Stroke	74.8 in (1900 mm)
Product weight	81.57 lb(US) (37 kg) at 0 stroke with carriage and motor 9.26 lb(US) (4.2 kg) of carriage 212.75 lb(US) (96.5 kg) total
Repeat accuracy	+/- 0.05 mm
Outer dimension	110 x 110 mm
Service life	30000 km
Associated module	BMH1401P06A2A servo motor (supplied) PLE120 planetary gearbox, reduction ratio: 5:1 (supplied) LXM32.D72N4 servo drive (not supplied)

Offer Sustainability

RoHS (date code: YYWW)	Compliant
------------------------	-----------

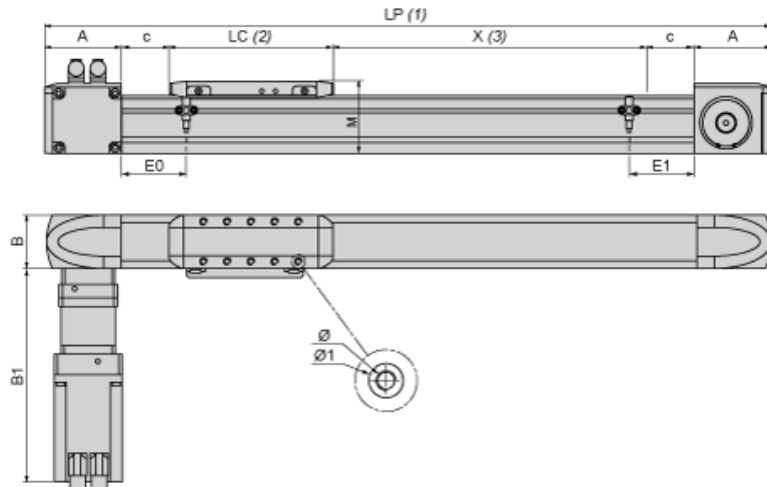
 Schneider Electric declaration of conformity

REACH	Reference not containing SVHC above the threshold Reference not containing SVHC above the threshold
California proposition 65	WARNING: This product can expose you to chemicals including:
----- Substance 1	Lead and lead compounds, which is known to the State of California to cause cancer and birth defects or other reproductive harm.
----- More information	For more information go to www.p65warnings.ca.gov

Contractual warranty

Warranty period	18 months
-----------------	-----------

Size Characteristics



- (1) LP : total length of axis
- (2) LC : length of carriage
- (3) X : Stroke, refer to product characteristics.

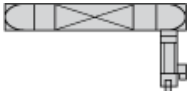
A	mm	146
	in.	5.75
B	mm	110
	in.	4.33
B1	mm	360
	in.	14.17
c	mm	40
	in.	1.57
E0	mm	110
	in.	4.33
E1	mm	110
	in.	4.33
LC	mm	310
	in.	12.20
LP	mm	= 372 + LC + X
	in.	= 14.64 + LC + X
M	mm	135
	in.	5.31
Ø	mm	M8 X 18
	in.	M8 X 0.70
Ø1	mm	12 ^{H7} X 2.1
	in.	12 ^{H7} X 0.08

Servo Motor Mounting

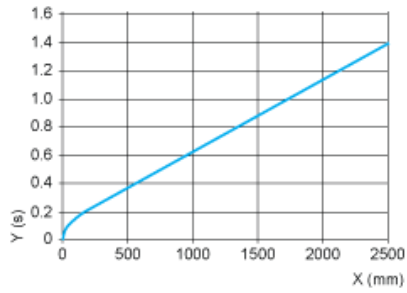
Standard servo motor mounting



Servo motor mounted on the left



Axis Positioning Time as a Function of the Stroke



X : Stroke
Y : Positioning time

Forces and Torques Exerted on the Lexium PAS E Portal Axis

