

# Product data sheet

## Characteristics

# PAS44E1750

portal axis PAS E - profile size 110x110mm -  
toothed belt - ball - stroke 1750mm



### Main

|                              |                 |
|------------------------------|-----------------|
| Range of product             | Lexium PAS E    |
| Product or component type    | Portal axis     |
| Product specific application | For 1 direction |
| Load position                | On carriage     |
| Drive type                   | Toothed belt    |
| Guide type                   | Ball            |

### Complementary

|                         |   |
|-------------------------|---|
| Operating position      | Horizontal  |
| Typical payload         | 110.23 lb(US) (50 kg)   |
| Distance per revolution | 10.39 in (264 mm)   |
| Operating force         | <= 2600 N for Fx<br><= 6270 N for Fy<br><= 6270 N for Fz  |
| Maximum speed           | 6.56 ft/s (2 m/s)   |
| Maximum acceleration    | 49.21 ft/s <sup>2</sup> (15 m/s <sup>2</sup> )  |
| Max. drive torque       | <= 4 N.m  |
| Max. torque             | <= 5 N.m for Mx<br><= 11 N.m for My<br><= 17 N.m for Mz   |
| Stroke                  | 68.9 in (1750 mm)   |
| Product weight          | 81.57 lb(US) (37 kg) at 0 stroke with carriage and motor<br>9.26 lb(US) (4.2 kg) of carriage<br>199.52 lb(US) (90.5 kg) total               |
| Repeat accuracy         | +/- 0.05 mm   |
| Outer dimension         | 110 x 110 mm  |
| Service life            | 30000 km  |
| Associated module       | BMH1401P06A2A servo motor (supplied)<br>PLE120 planetary gearbox, reduction ratio: 5:1 (supplied)<br>LXM32.D72N4 servo drive (not supplied) |

### Offer Sustainability

|                        |   |
|------------------------|---|
| RoHS (date code: YYWW) | Compliant - since 1501 - Schneider Electric declaration of conformity |
|------------------------|---|

 Schneider Electric declaration of conformity

---

REACH

Reference not containing SVHC above the threshold  
Reference not containing SVHC above the threshold

---

**Contractual warranty**

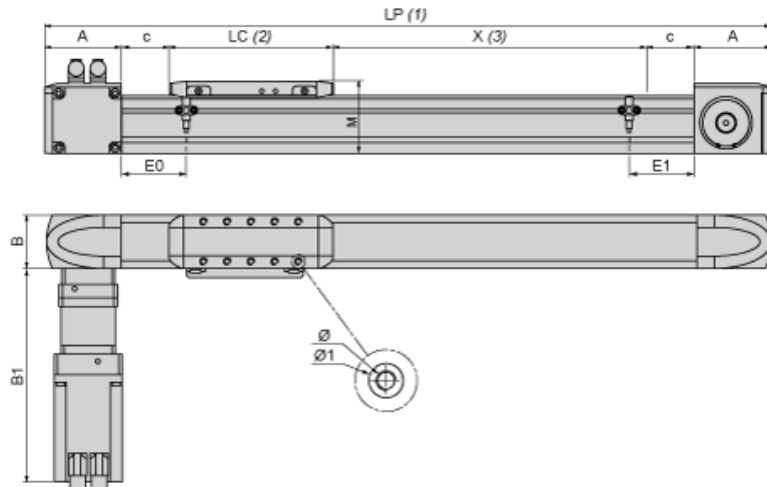
---

Warranty period

18 months

---

Size Characteristics



- (1) LP : total length of axis
- (2) LC : length of carriage
- (3) X : Stroke, refer to product characteristics.

|    |     |                         |
|----|-----|-------------------------|
| A  | mm  | 146                     |
|    | in. | 5.75                    |
| B  | mm  | 110                     |
|    | in. | 4.33                    |
| B1 | mm  | 360                     |
|    | in. | 14.17                   |
| c  | mm  | 40                      |
|    | in. | 1.57                    |
| E0 | mm  | 110                     |
|    | in. | 4.33                    |
| E1 | mm  | 110                     |
|    | in. | 4.33                    |
| LC | mm  | 310                     |
|    | in. | 12.20                   |
| LP | mm  | = 372 + LC + X          |
|    | in. | = 14.64 + LC + X        |
| M  | mm  | 135                     |
|    | in. | 5.31                    |
| Ø  | mm  | M8 X 18                 |
|    | in. | M8 X 0.70               |
| Ø1 | mm  | 12 <sup>H7</sup> X 2.1  |
|    | in. | 12 <sup>H7</sup> X 0.08 |

---

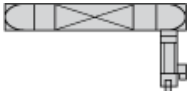
Servo Motor Mounting

---

Standard servo motor mounting



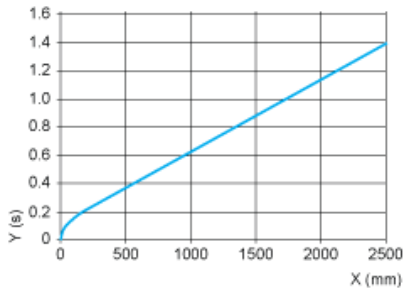
Servo motor mounted on the left



---

Axis Positioning Time as a Function of the Stroke

---



X : Stroke  
Y : Positioning time

---

Forces and Torques Exerted on the Lexium PAS E Portal Axis

---

