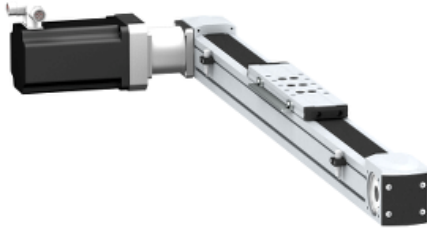


# Product data sheet

## Characteristics

# PAS44E0600

portal axis PAS E - profile size 110x110mm -  
toothed belt - ball - stroke 600mm



### Main

Range of product	Lexium PAS E
Product or component type	Portal axis
Product specific application	For 1 direction
Load position	On carriage
Drive type	Toothed belt
Guide type	Ball

### Complementary

Operating position	Horizontal
Typical payload	110.23 lb(US) (50 kg)
Distance per revolution	10.39 in (264 mm)
Operating force	<= 2600 N for Fx <= 6270 N for Fy <= 6270 N for Fz
Maximum speed	6.56 ft/s (2 m/s)
Maximum acceleration	49.21 ft/s <sup>2</sup> (15 m/s <sup>2</sup> )
Max. drive torque	<= 4 N.m
Max. torque	<= 5 N.m for Mx <= 11 N.m for My <= 17 N.m for Mz
Stroke	23.62 in (600 mm)
Product weight	81.57 lb(US) (37 kg) at 0 stroke with carriage and motor 9.26 lb(US) (4.2 kg) of carriage 134.92 lb(US) (61.2 kg) total
Repeat accuracy	+/- 0.05 mm
Outer dimension	110 x 110 mm
Service life	30000 km
Associated module	BMH1401P06A2A servo motor (supplied) PLE120 planetary gearbox, reduction ratio: 5:1 (supplied) LXM32.D72N4 servo drive (not supplied)

### Offer Sustainability

RoHS (date code: YYWW)	Compliant - since 1501 - Schneider Electric declaration of conformity
------------------------	---

 Schneider Electric declaration of conformity

---

REACH

Reference not containing SVHC above the threshold  
Reference not containing SVHC above the threshold

---

**Contractual warranty**

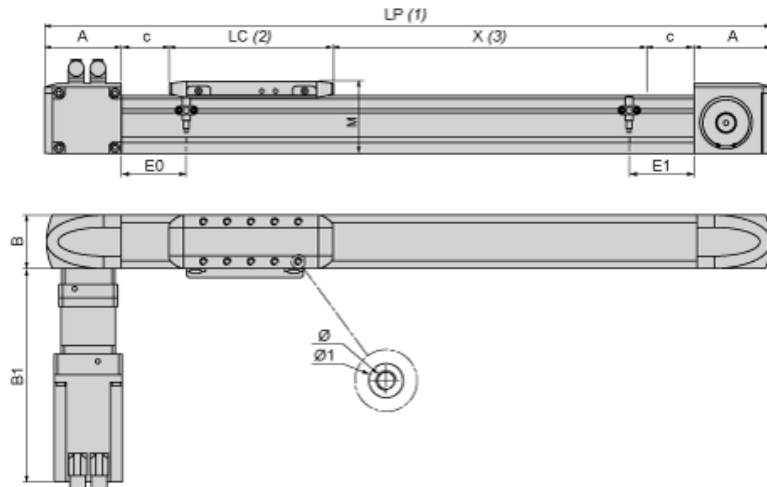
---

Warranty period

18 months

---

Size Characteristics



- (1) LP : total length of axis
- (2) LC : length of carriage
- (3) X : Stroke, refer to product characteristics.

A	mm	146
	in.	5.75
B	mm	110
	in.	4.33
B1	mm	360
	in.	14.17
c	mm	40
	in.	1.57
E0	mm	110
	in.	4.33
E1	mm	110
	in.	4.33
LC	mm	310
	in.	12.20
LP	mm	= 372 + LC + X
	in.	= 14.64 + LC + X
M	mm	135
	in.	5.31
Ø	mm	M8 X 18
	in.	M8 X 0.70
Ø1	mm	12 <sup>H7</sup> X 2.1
	in.	12 <sup>H7</sup> X 0.08

---

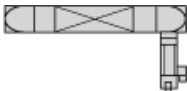
Servo Motor Mounting

---

Standard servo motor mounting



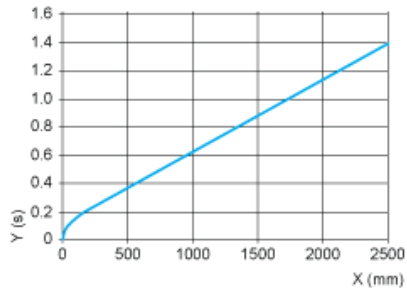
Servo motor mounted on the left



---

Axis Positioning Time as a Function of the Stroke

---



X : Stroke  
Y : Positioning time

---

Forces and Torques Exerted on the Lexium PAS E Portal Axis

---

