

# Product data sheet

## Characteristics

# PAS43E1650

portal axis PAS E - profile size 80x80mm -  
toothed belt - ball - stroke 1650mm



### Main

Range of product	Lexium PAS E
Product or component type	Portal axis
Product specific application	For 1 direction
Load position	On carriage
Drive type	Toothed belt
Guide type	Ball

### Complementary

Operating position	Horizontal
Typical payload	55.12 lb(US) (25 kg)
Distance per revolution	8.07 in (205 mm)
Operating force	<= 1100 N for Fx <= 4410 N for Fy <= 4410 N for Fz
Maximum speed	6.56 ft/s (2 m/s)
Maximum acceleration	49.21 ft/s <sup>2</sup> (15 m/s <sup>2</sup> )
Max. drive torque	<= 4 N.m
Max. torque	<= 5 N.m for Mx <= 11 N.m for My <= 17 N.m for Mz
Stroke	64.96 in (1650 mm)
Product weight	39.68 lb(US) (18 kg) at 0 stroke with carriage and motor 4.63 lb(US) (2.1 kg) of carriage 99.21 lb(US) (45 kg) total
Repeat accuracy	+/- 0.05 mm
Outer dimension	80 x 80 mm
Service life	30000 km
Associated module	BMH1002P06A2A servo motor (supplied) PLE80 planetary gearbox, reduction ratio: 5:1 (supplied) LXM32.D18N4 servo drive (not supplied)

### Offer Sustainability

RoHS (date code: YYWW)	Compliant - since 1501 - Schneider Electric declaration of conformity
------------------------	---

 Schneider Electric declaration of conformity

---

REACH

Reference not containing SVHC above the threshold  
Reference not containing SVHC above the threshold

---

**Contractual warranty**

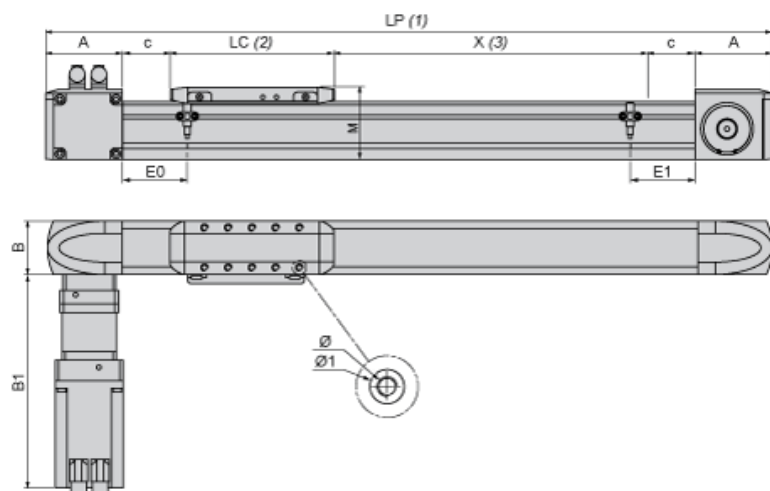
---

Warranty period

18 months

---

Size Characteristics



- (1) LP : total length of axis
- (2) LC : length of carriage
- (3) X : Stroke, refer to product characteristics.

A	mm	110
	in.	4.33
B	mm	80
	in.	3.15
B1	mm	322
	in.	12.68
c	mm	25
	in.	0.98
E0	mm	62
	in.	2.44
E1	mm	62
	in.	2.44
LC	mm	244
	in.	9.61
LP	mm	= 270 + LC + X
	in.	= 10.63 + LC + X
M	mm	100
	in.	3.94
Ø	mm	M6 X 14
	in.	M6 X 0.55
Ø1	mm	10 <sup>H7</sup> X 2.1
	in.	10 <sup>H7</sup> X 0.08

---

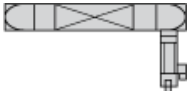
Servo Motor Mounting

---

Standard servo motor mounting



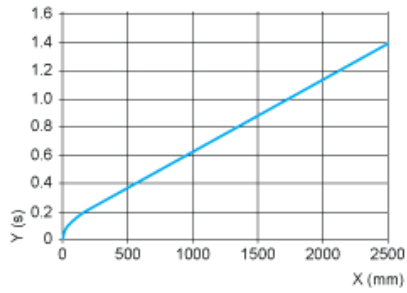
Servo motor mounted on the left



---

Axis Positioning Time as a Function of the Stroke

---



X : Stroke  
Y : Positioning time

---

Forces and Torques Exerted on the Lexium PAS E Portal Axis

---

