

Product data sheet

Characteristics

PAS42E1450

portal axis PAS E - profile size 60x60mm -
toothed belt - ball - stroke 1450mm



Main

| | |
|------------------------------|-----------------|
| Range of product | Lexium PAS E |
| Product or component type | Portal axis |
| Product specific application | For 1 direction |
| Load position | On carriage |
| Drive type | Toothed belt |
| Guide type | Ball |

Complementary

| | |
|-------------------------|--|
| Operating position | Horizontal |
| Typical payload | 26.46 lb(US) (12 kg) |
| Distance per revolution | 6.1 in (155 mm) |
| Operating force | <= 800 N for Fx <= 2810 N for Fy <= 2810 N for Fz |
| Maximum speed | 6.56 ft/s (2 m/s) |
| Maximum acceleration | 49.21 ft/s ² (15 m/s ²) |
| Max. drive torque | <= 4 N.m |
| Max. torque | <= 5 N.m for Mx <= 11 N.m for My <= 17 N.m for Mz |
| Stroke | 57.09 in (1450 mm) |
| Product weight | 16.53 lb(US) (7.5 kg) at 0 stroke with carriage and motor 2.2 lb(US) (1 kg) of carriage 58.86 lb(US) (26.7 kg) total |
| Repeat accuracy | +/- 0.05 mm |
| Outer dimension | 60 x 60 mm |
| Service life | 30000 km |
| Associated module | BMH0702P06A2A servo motor (supplied) PLE60 planetary gearbox, reduction ratio: 5:1 (supplied) LXM32.D12N4 servo drive (not supplied) |

Offer Sustainability

| | |
|------------------------|---|
| RoHS (date code: YYWW) | Compliant - since 1501 - Schneider Electric declaration of conformity |
|------------------------|---|

 Schneider Electric declaration of conformity

REACH

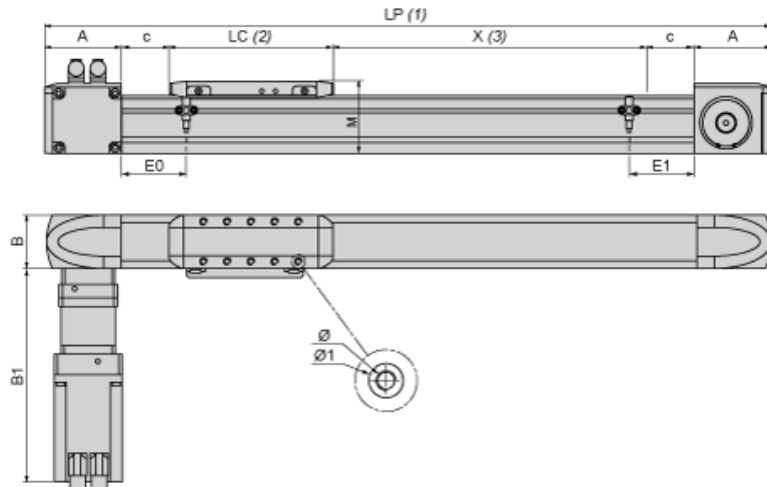
Reference not containing SVHC above the threshold
Reference not containing SVHC above the threshold

Contractual warranty

Warranty period

18 months

Size Characteristics



- (1) LP : total length of axis
- (2) LC : length of carriage
- (3) X : Stroke, refer to product characteristics.

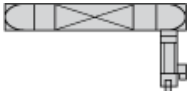
| | | |
|----|-----|------------------------|
| A | mm | 80 |
| | in. | 3.15 |
| B | mm | 60 |
| | in. | 2.36 |
| B1 | mm | 278 |
| | in. | 10.94 |
| c | mm | 15 |
| | in. | 0.59 |
| E0 | mm | 33 |
| | in. | 1.30 |
| E1 | mm | 33 |
| | in. | 1.30 |
| LC | mm | 206 |
| | in. | 8.11 |
| LP | mm | = 190 + LC + X |
| | in. | = 7.48 + LC + X |
| M | mm | 75 |
| | in. | 2.95 |
| Ø | mm | M5 X 12 |
| | in. | M5 X 0.47 |
| Ø1 | mm | 8 ^{H7} X 2.1 |
| | in. | 8 ^{H7} X 0.08 |

Servo Motor Mounting

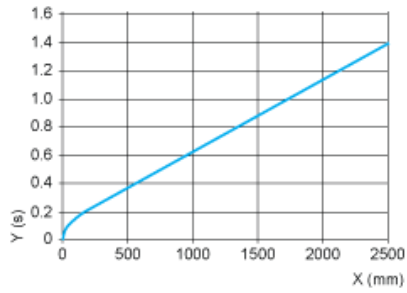
Standard servo motor mounting



Servo motor mounted on the left



Axis Positioning Time as a Function of the Stroke



X : Stroke
Y : Positioning time

Forces and Torques Exerted on the Lexium PAS E Portal Axis

