

### Main

Range of product	Lexium PAS E
Product or component type	Portal axis
Product specific application	For 1 direction
Load position	On carriage
Drive type	Toothed belt
Guide type	Ball

### Complementary

Operating position	Horizontal
Typical payload	26.46 lb(US) (12 kg)
Distance per revolution	6.1 in (155 mm)
Operating force	<= 800 N for Fx <= 2810 N for Fy <= 2810 N for Fz
Maximum speed	6.56 ft/s (2 m/s)
Maximum acceleration	49.21 ft/s <sup>2</sup> (15 m/s <sup>2</sup> )
Max. drive torque	<= 4 N.m
Max. torque	<= 5 N.m for Mx <= 11 N.m for My <= 17 N.m for Mz
Stroke	39.37 in (1000 mm)
Product weight	16.53 lb(US) (7.5 kg) at 0 stroke with carriage and motor 2.2 lb(US) (1 kg) of carriage 46.08 lb(US) (20.9 kg) total
Repeat accuracy	+/- 0.05 mm
Outer dimension	60 x 60 mm
Service life	30000 km
Associated module	BMH0702P06A2A servo motor (supplied) PLE60 planetary gearbox, reduction ratio: 5:1 (supplied) LXM32.D12N4 servo drive (not supplied)

Disclaimer: This documentation is not intended as a substitute for and is not to be used for determining suitability or reliability of these products for specific user applications

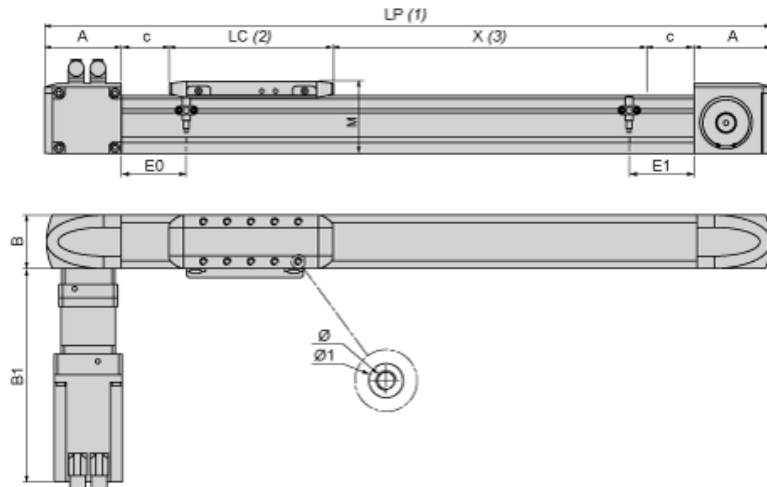
## Offer Sustainability

Sustainable offer status	Green Premium product
RoHS (date code: YYWW)	Compliant - since 1201 - Schneider Electric declaration of conformity <a href="#">Schneider Electric declaration of conformity</a>
REACH	Reference not containing SVHC above the threshold <a href="#">Reference not containing SVHC above the threshold</a>
Product environmental profile	Available
Product end of life instructions	Need no specific recycling operations

## Contractual warranty

Warranty period	18 months
-----------------	-----------

Size Characteristics



- (1) LP : total length of axis
- (2) LC : length of carriage
- (3) X : Stroke, refer to product characteristics.

A	mm	80
	in.	3.15
B	mm	60
	in.	2.36
B1	mm	278
	in.	10.94
c	mm	15
	in.	0.59
E0	mm	33
	in.	1.30
E1	mm	33
	in.	1.30
LC	mm	206
	in.	8.11
LP	mm	= 190 + LC + X
	in.	= 7.48 + LC + X
M	mm	75
	in.	2.95
Ø	mm	M5 X 12
	in.	M5 X 0.47
Ø1	mm	8 <sup>H7</sup> X 2.1
	in.	8 <sup>H7</sup> X 0.08

---

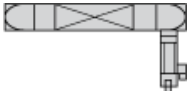
Servo Motor Mounting

---

Standard servo motor mounting



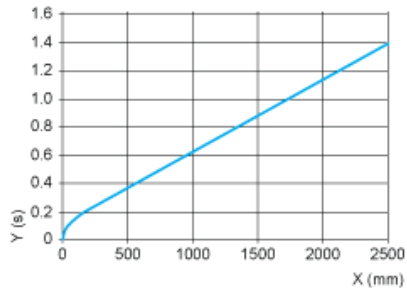
Servo motor mounted on the left



---

Axis Positioning Time as a Function of the Stroke

---



X : Stroke  
Y : Positioning time

Forces and Torques Exerted on the Lexium PAS E Portal Axis

