

# Product data sheet

## Characteristics

# PAS42E0700

portal axis PAS E - profile size 60x60mm -  
toothed belt - ball - stroke 700mm



### Main

|                              |                 |
|------------------------------|-----------------|
| Range of product             | Lexium PAS E    |
| Product or component type    | Portal axis     |
| Product specific application | For 1 direction |
| Load position                | On carriage     |
| Drive type                   | Toothed belt    |
| Guide type                   | Ball            |

### Complementary

|                         |  |
|-------------------------|--|
| Operating position      | Horizontal   |
| Typical payload         | 26.46 lb(US) (12 kg)   |
| Distance per revolution | 6.1 in (155 mm)  |
| Operating force         | <= 800 N for Fx<br><= 2810 N for Fy<br><= 2810 N for Fz  |
| Maximum speed           | 6.56 ft/s (2 m/s)  |
| Maximum acceleration    | 49.21 ft/s <sup>2</sup> (15 m/s <sup>2</sup> )   |
| Max. drive torque       | <= 4 N.m   |
| Max. torque             | <= 5 N.m for Mx<br><= 11 N.m for My<br><= 17 N.m for Mz  |
| Stroke                  | 27.56 in (700 mm)  |
| Product weight          | 16.53 lb(US) (7.5 kg) at 0 stroke with carriage and motor<br>2.2 lb(US) (1 kg) of carriage<br>41.01 lb(US) (18.6 kg) total                 |
| Repeat accuracy         | +/- 0.05 mm  |
| Outer dimension         | 60 x 60 mm   |
| Service life            | 30000 km   |
| Associated module       | BMH0702P06A2A servo motor (supplied)<br>PLE60 planetary gearbox, reduction ratio: 5:1 (supplied)<br>LXM32.D12N4 servo drive (not supplied) |

### Offer Sustainability

|                        |   |
|------------------------|---|
| RoHS (date code: YYWW) | Compliant - since 1501 - Schneider Electric declaration of conformity |
|------------------------|---|

 Schneider Electric declaration of conformity

---

REACH

Reference not containing SVHC above the threshold  
Reference not containing SVHC above the threshold

---

**Contractual warranty**

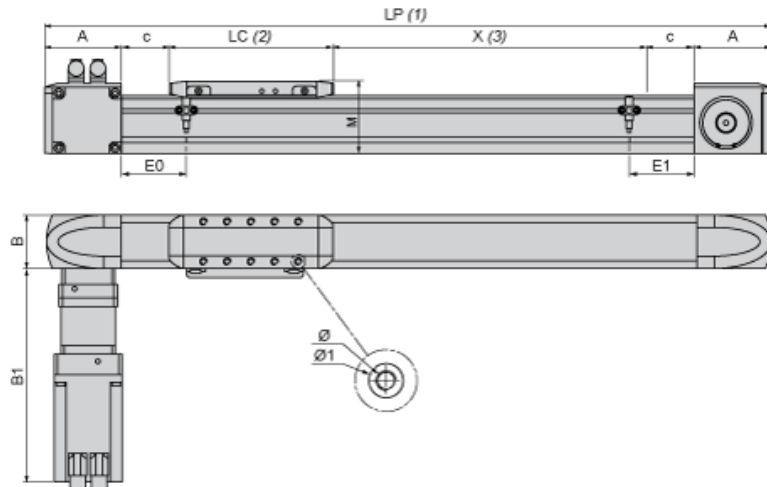
---

Warranty period

18 months

---

Size Characteristics



- (1) LP : total length of axis
- (2) LC : length of carriage
- (3) X : Stroke, refer to product characteristics.

|    |     |                        |
|----|-----|------------------------|
| A  | mm  | 80                     |
|    | in. | 3.15                   |
| B  | mm  | 60                     |
|    | in. | 2.36                   |
| B1 | mm  | 278                    |
|    | in. | 10.94                  |
| c  | mm  | 15                     |
|    | in. | 0.59                   |
| E0 | mm  | 33                     |
|    | in. | 1.30                   |
| E1 | mm  | 33                     |
|    | in. | 1.30                   |
| LC | mm  | 206                    |
|    | in. | 8.11                   |
| LP | mm  | = 190 + LC + X         |
|    | in. | = 7.48 + LC + X        |
| M  | mm  | 75                     |
|    | in. | 2.95                   |
| Ø  | mm  | M5 X 12                |
|    | in. | M5 X 0.47              |
| Ø1 | mm  | 8 <sup>H7</sup> X 2.1  |
|    | in. | 8 <sup>H7</sup> X 0.08 |

---

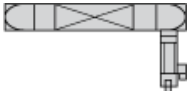
Servo Motor Mounting

---

Standard servo motor mounting



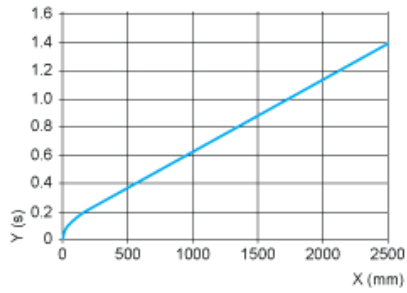
Servo motor mounted on the left



---

Axis Positioning Time as a Function of the Stroke

---



X : Stroke  
Y : Positioning time

---

Forces and Torques Exerted on the Lexium PAS E Portal Axis

---

