

### Main

Range of product	Lexium PAS E
Product or component type	Portal axis
Product specific application	For 1 direction
Load position	On carriage
Drive type	Toothed belt
Guide type	Roller

### Complementary

Operating position	Horizontal
Typical payload	8.82 lb(US) (4 kg)
Distance per revolution	3.31 in (84 mm)
Operating force	<= 300 N for Fx <= 660 N for Fy <= 430 N for Fz
Maximum speed	6.56 ft/s (2 m/s)
Maximum acceleration	49.21 ft/s <sup>2</sup> (15 m/s <sup>2</sup> )
Max. drive torque	<= 4 N.m
Max. torque	<= 5 N.m for Mx <= 11 N.m for My <= 17 N.m for Mz
Stroke	43.31 in (1100 mm)
Product weight	7.94 lb(US) (3.6 kg) at 0 stroke with carriage and motor 1.1 lb(US) (0.5 kg) of carriage 30.64 lb(US) (13.9 kg) total
Repeat accuracy	+/- 0.05 mm
Outer dimension	40 x 40 mm
Service life	30000 km
Associated module	BSH0552P01A2A servo motor (supplied) PLE40 planetary gearbox, reduction ratio: 3:1 (supplied) LXM32.U60N4 servo drive (not supplied)

Disclaimer: This documentation is not intended as a substitute for and is not to be used for determining suitability or reliability of these products for specific user applications

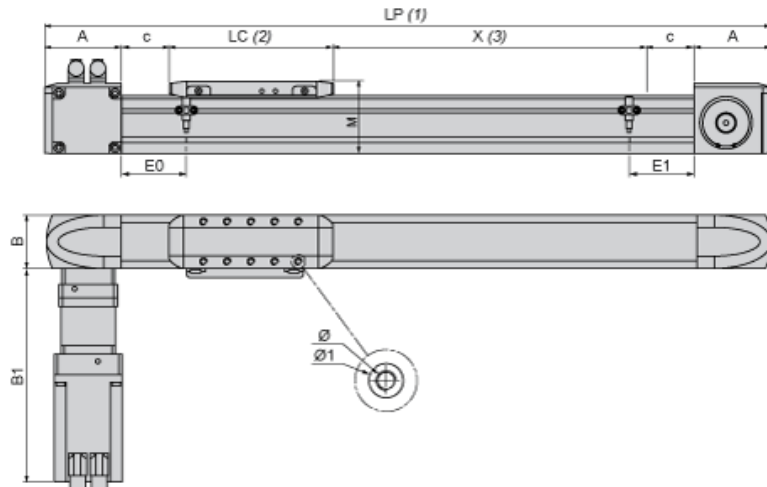
## Offer Sustainability

Sustainable offer status	Green Premium product
RoHS (date code: YYWW)	Compliant - since 1201 - Schneider Electric declaration of conformity <a href="#">Schneider Electric declaration of conformity</a>
REACH	Reference not containing SVHC above the threshold <a href="#">Reference not containing SVHC above the threshold</a>
Product environmental profile	Available
Product end of life instructions	Need no specific recycling operations

## Contractual warranty

Warranty period	18 months
-----------------	-----------

Size Characteristics



- (1) LP : total length of axis
- (2) LC : length of carriage
- (3) X : Stroke, refer to product characteristics.

A	mm	53.5
	in.	2.11
B	mm	40
	in.	1.57
B1	mm	258
	in.	10.16
c	mm	10
	in.	0.39
E0	mm	25
	in.	0.98
E1	mm	25
	in.	0.98
LC	mm	200
	in.	7.87
LP	mm	= 127 + LC + X
	in.	= 5.00 + LC + X
M	mm	55
	in.	2.16
Ø	mm	M5 X 12
	in.	M5 X 0.47
Ø1	mm	8 <sup>H7</sup> X 2.1
	in.	8 <sup>H7</sup> X 0.08

---

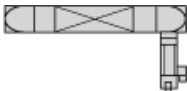
Servo Motor Mounting

---

Standard servo motor mounting



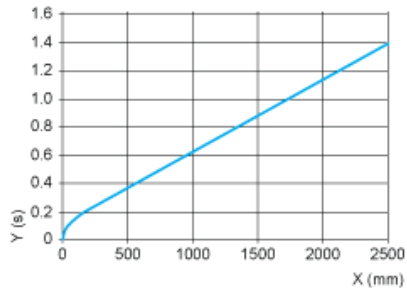
Servo motor mounted on the left



---

Axis Positioning Time as a Function of the Stroke

---



X : Stroke  
Y : Positioning time

Forces and Torques Exerted on the Lexium PAS E Portal Axis

