

Main

Range of product	Lexium PAS E
Product or component type	Portal axis
Product specific application	For 1 direction
Load position	On carriage
Drive type	Toothed belt
Guide type	Roller

Complementary

Operating position	Horizontal
Typical payload	8.82 lb(US) (4 kg)
Distance per revolution	3.31 in (84 mm)
Operating force	<= 300 N for Fx <= 660 N for Fy <= 430 N for Fz
Maximum speed	6.56 ft/s (2 m/s)
Maximum acceleration	49.21 ft/s ² (15 m/s ²)
Max. drive torque	<= 4 N.m
Max. torque	<= 5 N.m for Mx <= 11 N.m for My <= 17 N.m for Mz
Stroke	15.75 in (400 mm)
Product weight	7.94 lb(US) (3.6 kg) at 0 stroke with carriage and motor 1.1 lb(US) (0.5 kg) of carriage 13.45 lb(US) (6.1 kg) total
Repeat accuracy	+/- 0.05 mm
Outer dimension	40 x 40 mm
Service life	30000 km
Associated module	BSH0552P01A2A servo motor (supplied) PLE40 planetary gearbox, reduction ratio: 3:1 (supplied) LXM32.U60N4 servo drive (not supplied)

Disclaimer: This documentation is not intended as a substitute for and is not to be used for determining suitability or reliability of these products for specific user applications

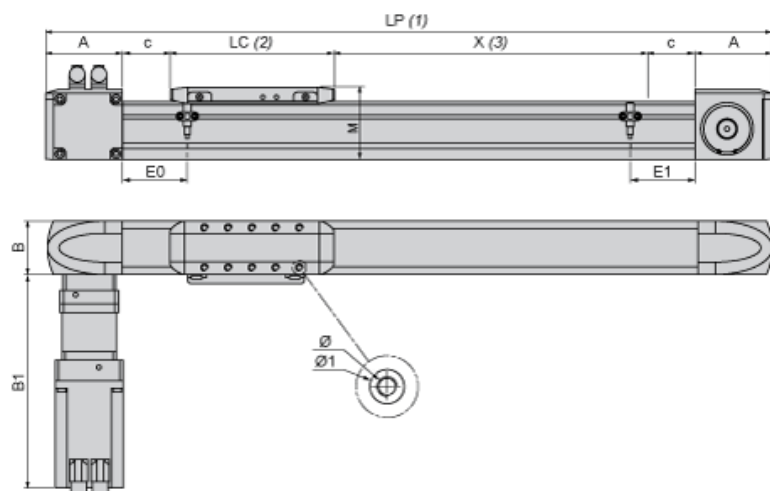
Offer Sustainability

Sustainable offer status	Green Premium product
RoHS (date code: YYWW)	Compliant - since 1201 - Schneider Electric declaration of conformity Schneider Electric declaration of conformity
REACH	Reference not containing SVHC above the threshold Reference not containing SVHC above the threshold
Product environmental profile	Available
Product end of life instructions	Need no specific recycling operations

Contractual warranty

Warranty period	18 months
-----------------	-----------

Size Characteristics



- (1) LP : total length of axis
- (2) LC : length of carriage
- (3) X : Stroke, refer to product characteristics.

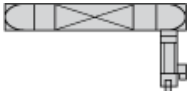
A	mm	53.5
	in.	2.11
B	mm	40
	in.	1.57
B1	mm	258
	in.	10.16
c	mm	10
	in.	0.39
E0	mm	25
	in.	0.98
E1	mm	25
	in.	0.98
LC	mm	200
	in.	7.87
LP	mm	= 127 + LC + X
	in.	= 5.00 + LC + X
M	mm	55
	in.	2.16
Ø	mm	M5 X 12
	in.	M5 X 0.47
Ø1	mm	8 ^{H7} X 2.1
	in.	8 ^{H7} X 0.08

Servo Motor Mounting

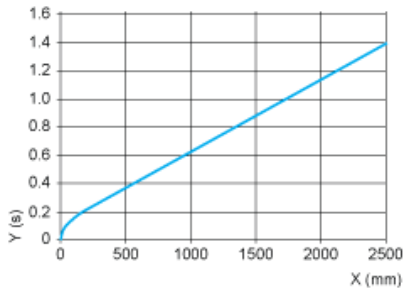
Standard servo motor mounting



Servo motor mounted on the left



Axis Positioning Time as a Function of the Stroke



X : Stroke
Y : Positioning time

Forces and Torques Exerted on the Lexium PAS E Portal Axis

