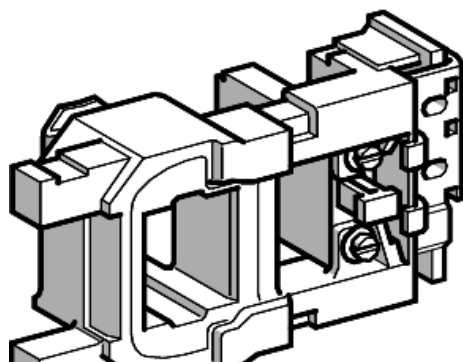


Price* : 306.00 USD



LX4FF030 has not been replaced. Please contact your customer care center for more information.

ⓘ Discontinued

Main

Range	TeSys
Product or component type	Contactor coil
Device short name	LX4FF
Range compatibility	TeSys F LC1F contactor
Product compatibility	LC1F115 LC1F150
Control circuit type	DC low consumption
[Uc] control circuit voltage	30 V DC
Average resistance	1.78 Ohm inrush at 68 °F (20 °C) 296.7 Ohm holding at 68 °F (20 °C)
Operating time	30...40 ms closing 30...50 ms opening

Complementary

Coil technology	Without built-in suppressor module
Control circuit voltage limits	0.15...0.2 Uc at 131 °F (55 °C) drop-out 0.85...1.1 Uc at 131 °F (55 °C) operational

Environment

Ambient air temperature for operation	> 23...131 °F (> -5...55 °C)
---------------------------------------	------------------------------

Ordering and shipping details

Category	18401 - WORLD SERVICE PARTS(CTR ACCESS)
Discount Schedule	CP10
Nbr. of units in pkg.	1
Package weight(Lbs)	0.9500000000000007
Returnability	N

Contractual warranty

Warranty period	18 months
-----------------	-----------