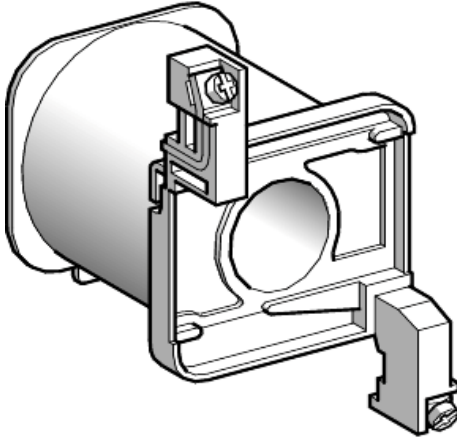


Product availability : Non-Stock - Not normally stocked in distribution facility

Price* : 140.70 USD



Main

Range	TeSys
Product or component type	Contactor coil
Device short name	LX4D7
Control circuit type	DC wide range
[Uc] control circuit voltage	110 V DC
Average resistance	483 Ohm at 68 °F (20 °C)
Inductance of closed circuit	36 H
Product compatibility	LC1D80
Mechanical durability	10 Mcycles
Operating rate	3600 cyc/h at <= 140 °F (60 °C)

Complementary

Coil technology	Without built-in suppressor module
Control circuit voltage limits	0.1...0.3 Uc at 131 °F (55 °C) drop-out 0.75...1.2 Uc at 131 °F (55 °C) operational
Time constant	75 ms
Inrush power in W	22 W at 68 °F (20 °C)
Hold-in power consumption in W	22 W at 68 °F (20 °C)

Environment

Ambient air temperature for operation	23...140 °F (-5...60 °C)
Product weight	1.5 lb(US) (0.68 kg)

Ordering and shipping details

Category	22341 - CONTACTOR,D,K,&F ACCESS
Discount Schedule	I12
GTIN	003389110229325
Nbr. of units in pkg.	1
Package weight(Lbs)	1.610000000000001

Returnability	N
Country of origin	CZ

Offer Sustainability

California proposition 65	WARNING: Cancer - www.P65Warnings.ca.gov
---------------------------	--

Contractual warranty

Warranty period	18 months
-----------------	-----------
