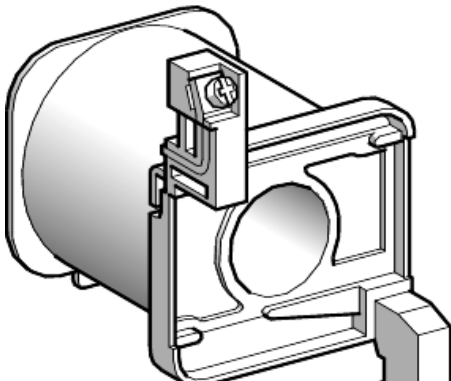


Price* : 284.00 USD



LX4D6QD has not been replaced. Please contact your customer care center for more information.

ⓘ Discontinued

Main

Range	TeSys
Product or component type	Contactor coil
Device short name	LX1D6
[Uc] control circuit voltage	174 V DC
Average resistance	51.9 Ohm at 68 °F (20 °C)
Inductance of closed circuit	4.18 H
Product compatibility	LC1D80...D95
Mechanical durability	10 Mcycles
Operating rate	3600 cyc/h at <= 140 °F (60 °C)

Complementary

Range compatibility	TeSys contactor
Coil technology	Without built-in suppressor module

Environment

Ambient air temperature for operation	23...140 °F (-5...60 °C)
Product weight	0.62 lb(US) (0.28 kg)

Ordering and shipping details

Category	18401 - WORLD SERVICE PARTS(CTR ACCESS)
Discount Schedule	CP10
Nbr. of units in pkg.	1
Package weight(Lbs)	0.9100000000000003
Returnability	N

Contractual warranty

Warranty period	18 months
-----------------	-----------