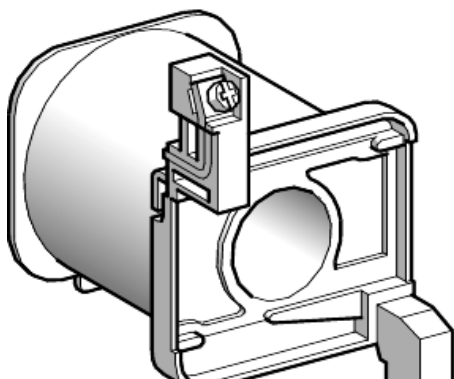


Price** : 162.75 USD



ⓘ Discontinued

LX4D6DW has not been replaced. Please contact your customer care center for more information.

Main

Range	TeSys
Product or component type	Contactor coil
Device short name	LX1D6
[Uc] control circuit voltage	96 V DC
Average resistance	51.9 Ohm 68 °F (20 °C)
Inductance of closed circuit	4.18 H
Product compatibility	LC1D80...D95
Mechanical durability	10 Mcycles
Maximum operating rate	3600 cyc/h 140 °F (60 °C)

Complementary

Range compatibility	contactor
Coil technology	Without built-in suppressor module

Environment

Ambient air temperature for operation	23...140 °F (-5...60 °C)
Net weight	0.62 lb(US) (0.28 kg)

Ordering and shipping details

Category	22341-CONTACTOR,D,K,&F ACCESS
Discount Schedule	I12
GTIN	03389110209662
Package weight(Lbs)	1.04 lb(US) (0.471 kg)
Returnability	No
Country of origin	CZ

Contractual warranty

Warranty	18 months
----------	-----------