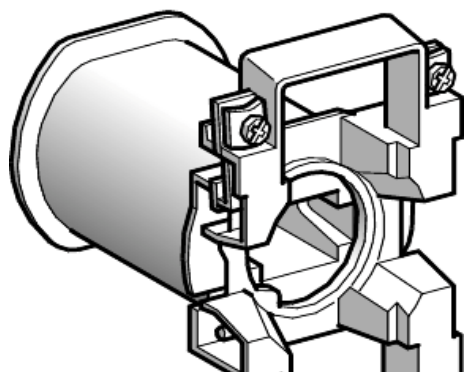


Price* : 110.00 USD



ⓘ Discontinued

LX4D4ZD has not been replaced. Please contact your customer care center for more information.

Ordering and shipping details

Category	22341 - CONTACTOR,D,K,&F ACCESS
Discount Schedule	I12
Nbr. of units in pkg.	1
Package weight(Lbs)	1.78
Returnability	N
Country of origin	FR

Contractual warranty

Warranty period	18 months
-----------------	-----------