

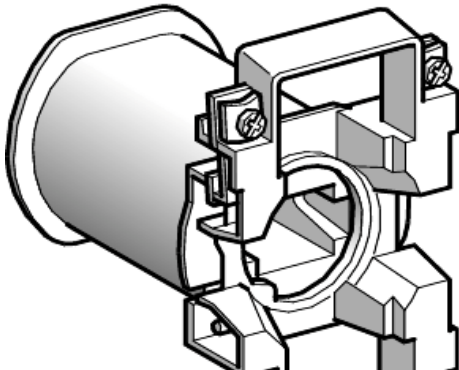
# Product data sheet

## Characteristics

# LX4D4JW

## Obs \_Repl cntrl rly-contactor w/ TeSys

Price\* : 110.00 USD



ⓘ Discontinued

LX4D4JW has not been replaced. Please contact your customer care center for more information.

### Ordering and shipping details

|                       |   |
|-----------------------|---|
| Category              | 18401 - WORLD SERVICE PARTS(CTR ACCESS) |
| Discount Schedule     | CP10                                    |
| Nbr. of units in pkg. | 1                                       |
| Package weight(Lbs)   | 0.8300000000000007                      |
| Returnability         | N                                       |
| Country of origin     | FR                                      |

### Contractual warranty

|                 |           |
|-----------------|-----------|
| Warranty period | 18 months |
|-----------------|-----------|