

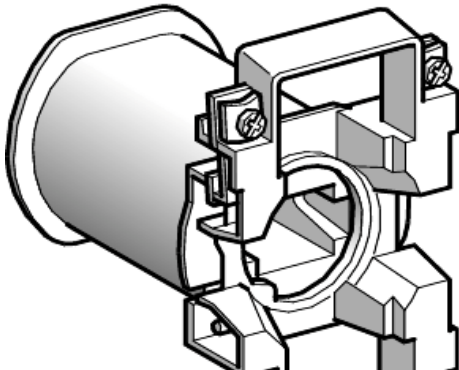
Product data sheet

Characteristics

LX4D4CW

Obs _Repl cntrl rly-contactor w/ TeSys

Price** : 110.00 USD



ⓘ Discontinued

LX4D4CW has not been replaced. Please contact your customer care center for more information.

Ordering and shipping details

Category	18401-WORLD SERVICE PARTS(CTR ACCESS)
Discount Schedule	CP10
GTIN	03389110209396
Package weight(Lbs)	0.85 lb(US) (0.386 kg)
Returnability	No

Contractual warranty

Warranty	18 months
----------	-----------

Disclaimer: This documentation is not intended as a substitute for and is not to be used for determining suitability or reliability of these products for specific user applications