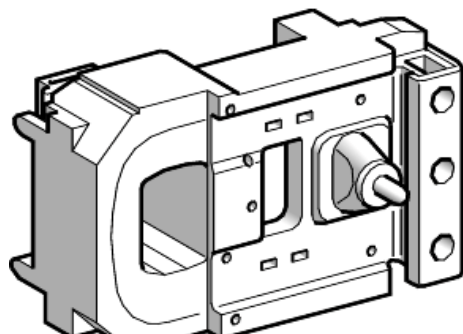


Price** : 574.00 USD



ⓘ Discontinued

LX1FJ660 has not been replaced. Please contact your customer care center for more information.

Main

Range	TeSys
Product or component type	Contacteur coil
Device short name	LX1FJ
Range compatibility	TeSys F LC1F contacteur
Product compatibility	LC1F400
Control circuit type	AC 50/60 Hz
[Uc] control circuit voltage	660 V AC 50/60 Hz
Average resistance	243 Ohm inrush 68 °F (20 °C) 6310 Ohm holding 68 °F (20 °C)
Inductance of closed circuit	27.4 H
Operating time	100...170 ms opening 40...75 ms closing
Mechanical durability	10 Mcycles
Maximum operating rate	2400 cyc/h 131 °F (55 °C)

Complementary

Coil technology	Without built-in suppressor module
Control circuit voltage limits	Operational 0.85...1.1 Uc 50/60 Hz 131 °F (55 °C)) Drop-out 0.3...0.5 Uc 50/60 Hz 131 °F (55 °C))
Inrush power in VA	1075 VA 50/60 Hz 0.9 68 °F (20 °C))
Hold-in power consumption in VA	15 VA 50/60 Hz 0.3 68 °F (20 °C))
Heat dissipation	14 W 50/60 Hz

Environment

Ambient air temperature for operation	23...131 °F (-5...55 °C)
Net weight	2.20 lb(US) (1 kg)

Ordering and shipping details

Category	18401-WORLD SERVICE PARTS(CTR ACCESS)
Discount Schedule	CP10
GTIN	03389110225488
Package weight(Lbs)	2.39 lb(US) (1.086 kg)

Returnability	No
---------------	----

Contractual warranty

Warranty	18 months
----------	-----------
