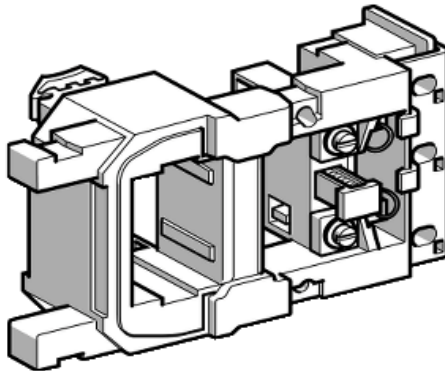


Product availability : Non-Stock - Not normally stocked in distribution facility



Price** : 85.00 USD



Main

Range	TeSys
Product or component type	Contacteur coil
Device short name	LX0FF
Control circuit type	AC 50/60 Hz
[Uc] control circuit voltage	240 V AC 50/60 Hz
Average resistance	45.16 Ohm latching 68 °F (20 °C) 6544 Ohm unlatching 68 °F (20 °C)
Product compatibility	CR1F150
Operating time	35...40 ms latching 50...100 ms unlatching
Mechanical durability	1 Mcycles
Maximum operating rate	120 cyc/h 104 °F (40 °C)

Complementary

Control circuit voltage limits	Latching 0.85...1.1 Uc Unlatching 0.85...1.1 Uc
--------------------------------	--

Environment

Net weight	0.97 lb(US) (0.44 kg)
------------	-----------------------

Ordering and shipping details

Category	22341 - CONTACTOR,D,K,&F ACCESS
Discount Schedule	I12
GTIN	00785901867166
Package weight(Lbs)	0.44 kg (0.97 lb(US))
Returnability	No
Country of origin	CZ

Offer Sustainability

Sustainable offer status	Green Premium product
California proposition 65	WARNING: This product can expose you to chemicals including: No which is known to the State of California to cause No harm. For more information go to www.p65warnings.ca.gov
REACH Regulation	REACH Declaration
REACH free of SVHC	Yes
EU RoHS Directive	Not applicable, out of EU RoHS legal scope
Toxic heavy metal free	Yes
Mercury free	Yes
RoHS exemption information	Yes
China RoHS Regulation	China RoHS declaration
Environmental Disclosure	Product Environmental Profile
Circularity Profile	End of Life Information

Contractual warranty

Warranty	18 months
----------	-----------