

Product data sheet

Characteristics

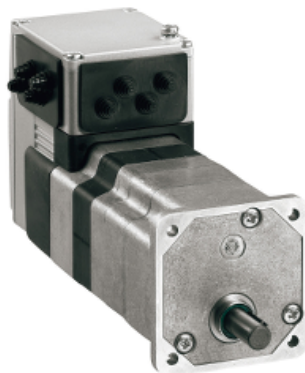
ILE2T661PB1A1

brushless dc motor 24..48 V - Modbus TCP interface - L = 174 mm - 18:1

Product availability : Non-Stock - Not normally stocked in distribution facility



Price* : 1,540.00 USD



Main

Range of product	Lexium integrated drive
Product or component type	Motion integrated drive
Device short name	ILE
Motor type	Brushless dc motor
Number of motor poles	6
Phase	Single phase
[Us] rated supply voltage	24 V 48 V
Network type	DC
Communication interface	Integrated Modbus TCP
Length	6.85 in (174 mm)
Winding type	Medium speed of rotation and medium torque
Electrical connection	Printed circuit board connector
Holding brake	Without
Gear box type	Straight teeth gear, 3 stages
Reduction ratio	18:1 (160:9)
Nominal speed	225 rpm at 24 V 281 rpm at 48 V
Nominal torque	30.97 lbf.in (3.5 N.m) at 48 V 30.97 lbf.in (3.5 N.m) at 24 V

Complementary

Transmission rate	10, 100 Mbits
Mounting support	Flange
Motor flange size	2.6 in (66 mm)
Number of motor stacks	1
Centring collar diameter	0.63 in (16 mm)

Centring collar depth	0.16 in (4 mm)
Number of mounting holes	4
Mounting holes diameter	0.17 in (4.4 mm)
Circle diameter of the mounting holes	2.9 in (73.54 mm)
Feedback type	BLDC encoder
Shaft end	Keyed
Second shaft	Without second shaft end
Shaft diameter	0.39 in (10 mm)
Shaft length	0.98 in (25 mm)
Key width	0.63 in (16 mm)
Supply voltage limits	18...55.2 V
Current consumption	7000 mA (peak) 5500 mA (maximum continuous)
Associated fuse rating	16 A
Commissioning interface	RS485 Modbus TCP (9.6, 19.2 and 38.4 kbauds)
Input/Output type	4 signals (each be used as input or output)
Voltage state 0 guaranteed	-3...4.5 V
Voltage state 1 guaranteed	15...30 V
Discrete input current	<= 10 mA at 24 V on/STO_A for safety input <= 3 mA at 24 V on/STO_B for safety input 2 mA at 24 V for 24 V signal interface
Discrete output voltage	23...25 V
Maximum switching current	100 mA per output 200 mA total
Protection type	Overload of output voltage Short circuit of the output voltage Safe torque off
Supply current	Supply: 0.1 A, power stage disabled Supply: 3.8 A, 48 V Supply: 6.8 A, 24 V
Nominal output power	119 W at 48 V 95 W at 24 V
Peak stall torque	54.78 lbf.in (6.19 N.m) at 48 V 54.78 lbf.in (6.19 N.m) at 24 V
Continuous stall torque	38.05 lbf.in (4.3 N.m)
Detent torque	12.57 lbf.in (1.42 N.m)
Speed feedback resolution	1.667° (gearbox output) 12 points/turn (motor)
Accuracy error	+/- 0.5 point
Torsional backlash	<= 1 °
Rotor inertia	48 kg.cm ²
Maximum mechanical speed	281 rpm
Maximum radial force Fr	200 N (long-term operation) 200 N (short-term operation)
Maximum axial force Fa	10 N (long-term operation) 80 N (short-term operation)
Service life in hours	2500 h of bearing: (short-term operation) 15000 h of bearing: (long-term operation)
Marking	CE
Type of cooling	Natural convection
Product weight	4.08 lb(US) (1.85 kg)

Environment

Standards	EN 50347 IEC 60072-1 EN/IEC 61800-3 EN 61800-3 : 2001-02 EN 61800-3:2001, second environment
-----------	--

EN/IEC 50178
IEC 61800-3, Ed 2

Product certifications	TÜV CUL UL
Ambient air temperature for operation	32...104 °F (0...40 °C) without derating > 104...131 °F (> 40...55 °C) with power derating of 2 % per °C
Permissible ambient air temperature around the device	221 °F (105 °C) (power amplifier) 230 °F (110 °C) (motor)
Ambient air temperature for storage	-13...158 °F (-25...70 °C)
Operating altitude	<= 3280.84 ft (1000 m) without derating
Relative humidity	15...85 % without condensation
Vibration resistance	20 m/s ² (f = 10...500 Hz) for 10 cycles conforming to EN/IEC 60068-2-6
Shock resistance	150 m/s ² 1000 shocks conforming to EN/IEC 60068-2-29
IP degree of protection	IP41 shaft bushing conforming to EN/IEC 60034-5 IP54 total except shaft bushing conforming to EN/IEC 60034-5

Ordering and shipping details

Category	18288 - LEXIUM INTEGRATED DRIVES II
Discount Schedule	PC56
GTIN	003606485189208
Nbr. of units in pkg.	1
Package weight(Lbs)	6.160000000000001
Returnability	N
Country of origin	DE

Offer Sustainability

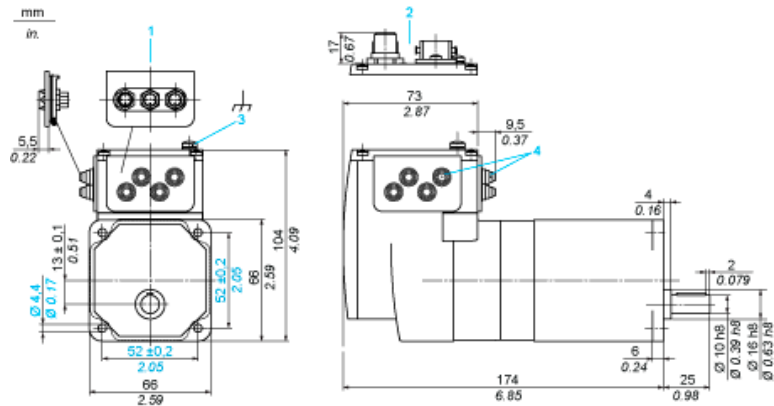
Sustainable offer status	Green Premium product
RoHS (date code: YYWW)	Compliant - since 0910 - Schneider Electric declaration of conformity Schneider Electric declaration of conformity
REACH	Reference not containing SVHC above the threshold Reference not containing SVHC above the threshold
Product environmental profile	Available End of Life Information
Product end of life instructions	Available
California proposition 65	WARNING: This product can expose you to chemicals including:
- - - - - Substance 1	Lead and lead compounds, which is known to the State of California to cause cancer and birth defects or other reproductive harm.
- - - - - More information	For more information go to www.p65warnings.ca.gov

Contractual warranty

Warranty period	18 months
-----------------	-----------

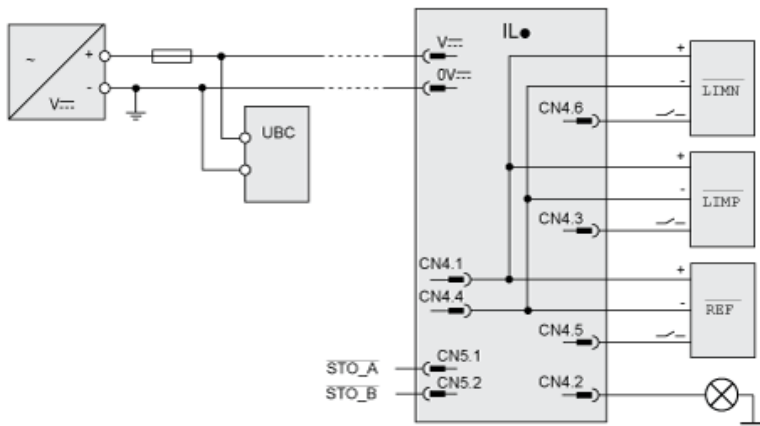
Integrated Drive with Straight Teeth Gear

Dimensions

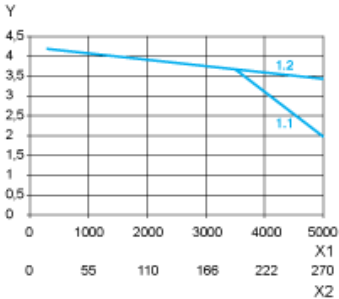


- 1 Accessories: I/O signal insert with industrial connectors
- 2 Option: industrial connectors
- 3 Earth (ground) terminal
- 4 Accessories: cable entries $\varnothing = 3 \dots 9 \text{ mm} / 0.12 \dots 0.35 \text{ in.}$

Connection Example with 4 I/O Signals



Torque Characteristics



- X1 Speed of rotation of motor in rpm
- X2 Speed of rotation of gearing in rpm
- Y Torque in Nm
- 1.1 Max. torque at 24 V
- 1.2 Max. torque at 36 V