

Product availability : Stock - Normally stocked in distribution facility



### Main

Range of product	Magelis GTU
Product or component type	Flat screen
Terminal type	Touchscreen display
Integrated connection type	USB 2.0 type A USB 2.0 type mini B

### Complementary

Pixel resolution	1366 x 768
Touchscreen resolution	1366 x 768
Function available	Brightness sensor
[Us] rated supply voltage	12...24 V DC power supply
Supply voltage limits	10.8...28.8 V
Power consumption in W	19 W
Display size	18.5 inch
Display type	Colour TFT LCD
Display resolution	1366 x 768 pixels FWXGA
Display colour	16 million colours
Backlight lifespan	50000 hours
Touch panel	Multi-touch projected capacitive technology (PCT), 50000000 cycles
Type of installation	Indoor installation
Type of cooling	Natural convection
Inrush current	30 A
Cut-out dimensions	465 (+ 1/- 0) x 319 (+ 1/- 0) mm
Width	19.02 in (483 mm)
Height	13.27 in (337 mm)
Depth	2.72 in (69 mm)
Product weight	14.99 lb(US) (6.8 kg)

### Environment

IP degree of protection	IP66 (front panel) IP67 (front panel)
-------------------------	--

Disclaimer: This documentation is not intended as a substitute for and is not to be used for determining suitability or reliability of these products for specific user applications

NEMA degree of protection	NEMA 4X (front panel)
Standards	CSA C22.2 No 142 ANSI/ISA 12-12-01 IEC 61132-2 CSA C22.2 No 213: class I division 2 UL 508
Product certifications	CE cULus RCM KC
Ambient air temperature for operation	0...55 °C conforming to EN 61131-2
Ambient air temperature for storage	-4...140 °F (-20...60 °C)
Pollution degree	2
Relative humidity	10...90 % (non-condensing)
Operating altitude	6561.68 ft (2000 m)
Vibration resistance	3.5 mm constant amplitude (f = 5...9 Hz) conforming to EN/IEC 61131-2 9.8 m/s <sup>2</sup> (f = 9...150 Hz) conforming to EN/IEC 61131-2
Shock resistance	147 m/s <sup>2</sup> conforming to EN/IEC 61131-2
Electromagnetic compatibility	Electrostatic discharge immunity test, level 3 conforming to EN/IEC 61000-4-2

## Ordering and shipping details

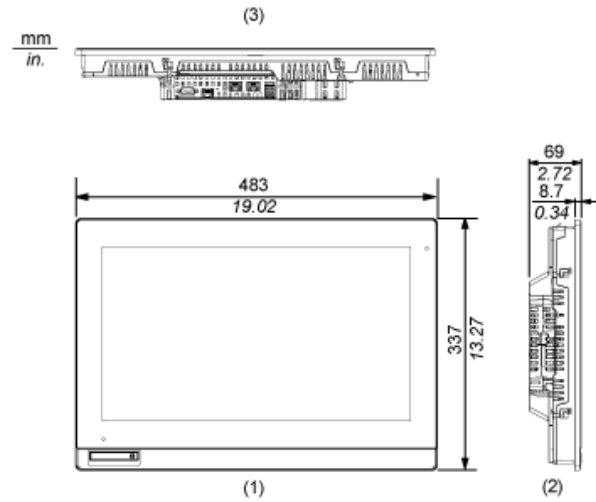
Category	22567 - MAGELIS HMI GTU
Discount Schedule	MC2
GTIN	00785901140696
Nbr. of units in pkg.	1
Package weight(Lbs)	17
Returnability	Y

## Offer Sustainability

RoHS (date code: YYWW)	Compliant - since 1726 - Schneider Electric declaration of conformity <a href="#">Schneider Electric declaration of conformity</a>
REACH	Reference not containing SVHC above the threshold <a href="#">Reference not containing SVHC above the threshold</a>

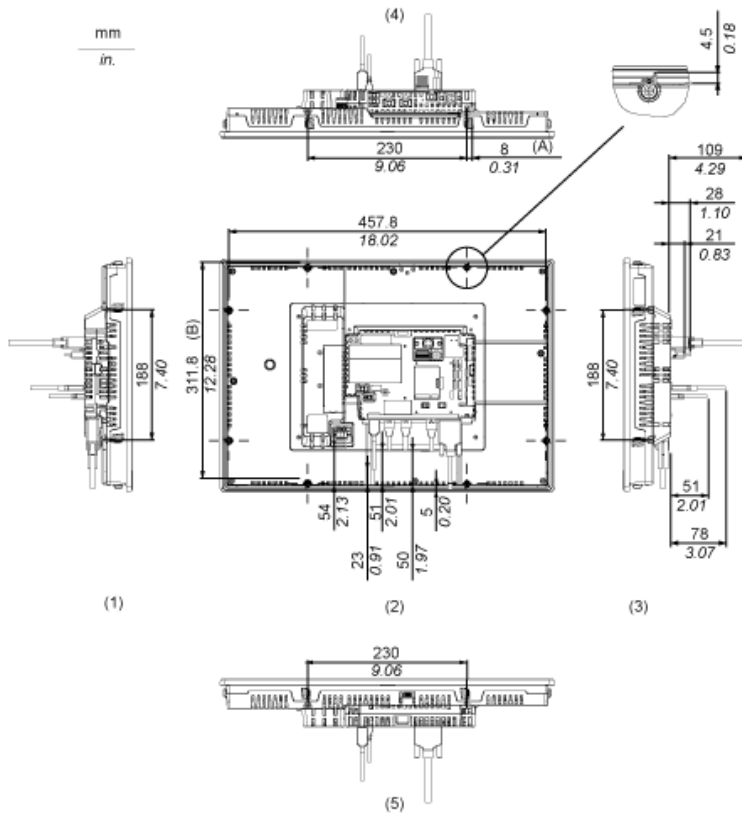
## External Dimensions

### Display Unit with Box Module



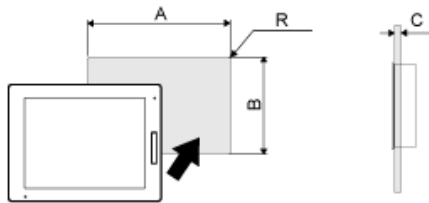
- (1) Front
- (2) Left
- (3) Bottom

## Installation with Installation Fasteners and Dimensions with Cables



- (A) Rotation area of the fastener
- (B) Pitch of the center of installation fastener screws
- (1) Right
- (2) Front
- (3) Left
- (4) Bottom
- (5) Top

## Panel Cut Dimensions



Dimensions in mm

A	B	C	R
465 (+1/-0)	319 (+1/-0)	1.6...5	3 max.

Dimensions in in.

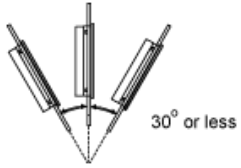
A	B	C	R
18.31 (+0.04/-0)	12.56 (+0.04/-0)	0.06...0.2	0.12 max.

---

## Installation Requirements

---

### Mounting Angle



When installing this product in a slanted position with an incline more than 30°, the ambient temperature must not exceed 40 °C (104 °F). You may need to use forced air cooling (fan, A/C) to ensure the ambient operating temperature is 40 °C or less (104 °F or less).

---

## Clearance

---

