

Product availability : Stock - Normally stocked in distribution facility



Price* : 1,346.00 USD



Main

Range of product	Modicon M340 automation platform
Product or component type	Counter module
Number of channels	8
Counting frequency	<= 10000 Hz
Number of inputs	2 single mode 3 special dual phase mode
Input compatibility	Incremental encoder with push-pull outputs 10...30 V totem pole 2-wire/3-wire proximity sensor 19.2...30 V
Input voltage	24 V DC type 3

Complementary

Counter functions	32-bit counter counting Count events Down counting Frequency meter Loop (modulo) counting Up/down counter
Cycle time	5 ms
Isolation voltage	1500 V 60 s
Input type	High speed
Input voltage limits	30 V
Input current	2 mA at 11 V
Voltage state 1 guaranteed	11...30 V
Current state 1 guaranteed	>= 6 mA
Voltage state 0 guaranteed	< 5 V
Current state 0 guaranteed	<= 1.5 mA
Electrical connection	1 connector 20 pins
Current consumption	200 mA 3.3 V DC bus 80 mA 24 V DC sensor

Module format	Standard
Product weight	0.25 lb(US) (0.113 kg)

Environment

Ambient air temperature for operation	32...140 °F (0...60 °C)
Relative humidity	10...95 % without condensation
IP degree of protection	IP20
Directives	2012/19/EU - WEEE directive 2014/30/EU - electromagnetic compatibility 2014/35/EU - low voltage directive
Standards	EN 61000-6-2 EN 61000-6-4 EN 61131-2 EN 61010-2-201
Protective treatment	TC

Ordering and shipping details

Category	18160 - MODICON M340
Discount Schedule	PC34
GTIN	00785901501824
Nbr. of units in pkg.	1
Package weight(Lbs)	0.32000000000000001
Returnability	Y
Country of origin	FR

Offer Sustainability

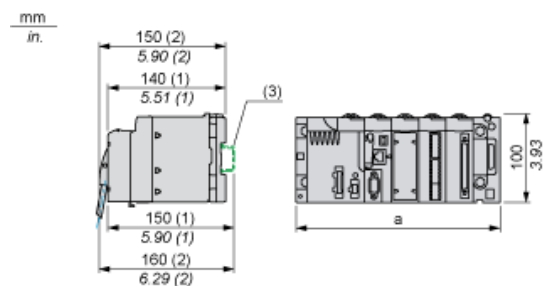
Sustainable offer status	Green Premium product
RoHS (date code: YYWW)	Compliant - since 0722 - Schneider Electric declaration of conformity Schneider Electric declaration of conformity
REACH	Reference not containing SVHC above the threshold Reference not containing SVHC above the threshold
Product environmental profile	Available Product Environmental Profile
Product end of life instructions	Available
California proposition 65	WARNING: This product can expose you to chemicals including:
----- Substance 1	Lead and lead compounds which is known to the State of California to cause cancer and birth defects or other reproductive harm.
----- More information	For more information go to www.p65warnings.ca.gov

Contractual warranty

Warranty period	18 months
-----------------	-----------

Modules Mounted on Racks

Dimensions



- (1) With removable terminal block (cage, screw or spring).
- (2) With FCN connector.
- (3) On AM1 ED rail: 35 mm wide, 15 mm deep. Only possible with BMXXBP0400/0400H/0600/0600H/0800/0800H rack.

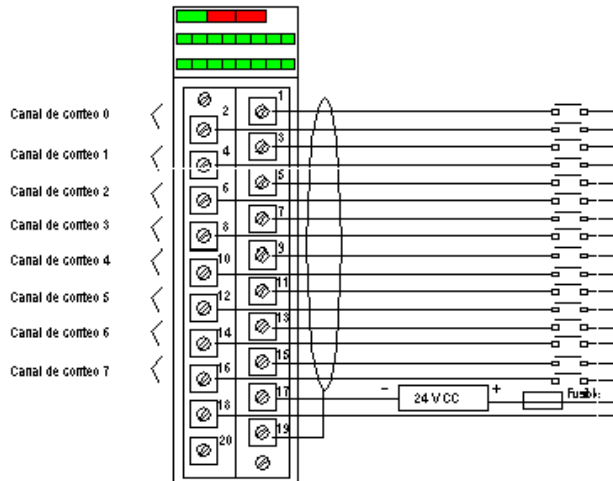
Rack references	a in mm	a in in.
BMXXBP0400 and BMXXBP0400H	242.4	09.54
BMXXBP0600 and BMXXBP0600H	307.6	12.11
BMXXBP0800 and BMXXBP0800H	372.8	14.68
BMXXBP1200 and BMXXBP1200H	503.2	19.81

Counting Module Wiring

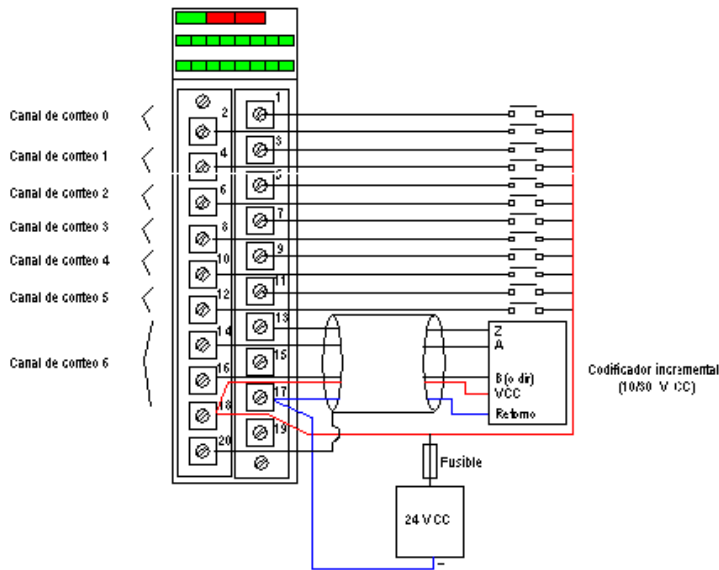
Pin Assignments

IN_A input for channel 0	2	1	IN_AUX input for channel 0
IN_A input for channel 1 or IN_B input for channel 0	4	3	IN_AUX input for channel 1
IN_A input for channel 2	6	5	IN_AUX input for channel 2
IN_A input for channel 3 or IN_B input for channel 2	8	7	IN_AUX input for channel 3
IN_A input for channel 4	10	9	IN_AUX input for channel 4
IN_A input for channel 5 or IN_B input for channel 4	12	11	IN_AUX input for channel 5
IN_A input for channel 6	14	13	IN_AUX input for channel 6
IN_A input for channel 7 or IN_B input for channel 6	16	15	IN_AUX input for channel 7
VDC + power supply for sensors	18	17	Return + 24 V power supply for sensors
Functional earth, for shield continuation	20	19	Functional earth, for shield continuation

Sensor Connection Example



Incremental Encoder Connection Example for Axis Control



Channels 0 to 5 are still used in single mode.

Channel 7 is no longer available.

Recommended Circuit for a Highly Disturbed Environment Using BMXXSP... Electromagnetic Protection Kit

