

ABE9C1281C23

IP67 passive splitter box - M23 connector - with 8 channels M12 connector - Led

Product availability : Non-Stock - Not normally stocked in distribution facility



Price** : 152.00 USD



Main

| | |
|---------------------------|---|
| Range of product | Advantys ABE9 |
| Product or component type | IP67 passive splitter box |
| Number of channels | 8 |
| Electrical connection | 1 male connector M23 19 pins 8 female connectors M12 5 pins |
| Status LED | Power ON 1 LED (green) Channel status 1 LED per channel (yellow) |

Complementary

| | |
|--------------------------------|---|
| Number of ways | 16 ways |
| [Ue] rated operational voltage | 24 V DC |
| Current per channel | 4 A |
| Insulation group | Category 3 VDE 0110 |
| Operating position | Any position |
| Fixing mode | M4 screw fixing |
| Contact resistance | 5000 µOhm |
| Current of common | 16 A 0.00 in ² (1 mm ²) 12 A 0.00 in ² (0.75 mm ²) |
| Separation of commons | Without |
| Net weight | 0.31 lb(US) (0.14 kg) |

Environment

| | |
|---------------------------------------|----------------------------|
| IP degree of protection | IP67 IEC 529 |
| Product certifications | CULus |
| Ambient air temperature for operation | -4...176 °F (-20...80 °C) |
| Ambient air temperature for storage | -40...185 °F (-40...85 °C) |

| | |
|----------------------|---|
| Vibration resistance | 0.2 gn 57...150 Hz)IEC 68-2-6, FC tests |
| Shock resistance | 30 gn 11 ms EN 68-2-2 30 gn 11 ms IEC 68-2-2 |

Ordering and shipping details

| | |
|---------------------|-------------------------------|
| Category | 18125 - MODSOFT LITE SOFTWARE |
| Discount Schedule | PC12 |
| GTIN | 00785901497691 |
| Package weight(Lbs) | 0.17 kg (0.37 lb(US)) |
| Returnability | No |
| Country of origin | DE |

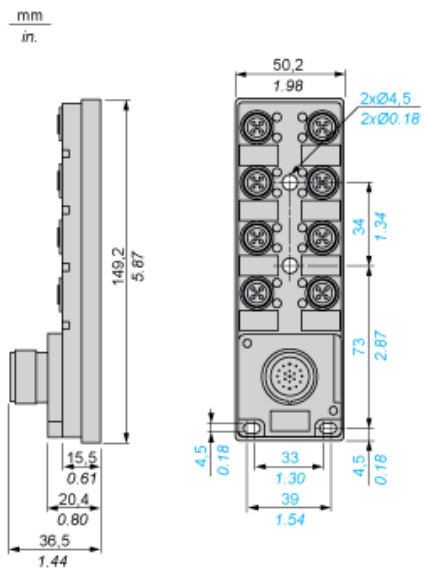
Offer Sustainability

| | |
|----------------------------|---|
| Sustainable offer status | Green Premium product |
| California proposition 65 | WARNING: This product can expose you to chemicals including: Lead and lead compounds which is known to the State of California to cause Carcinogen & Reproductive harm. For more information go to www.p65warnings.ca.gov |
| REACH Regulation | REACH Declaration |
| REACH free of SVHC | Yes |
| EU RoHS Directive | Pro-active compliance (Product out of EU RoHS legal scope) EU RoHS Declaration |
| Mercury free | Yes |
| RoHS exemption information | Yes |
| China RoHS Regulation | China RoHS declaration |
| Environmental Disclosure | Product Environmental Profile |
| Circularity Profile | End of Life Information |
| WEEE | The product must be disposed on European Union markets following specific waste collection and never end up in rubbish bins. |

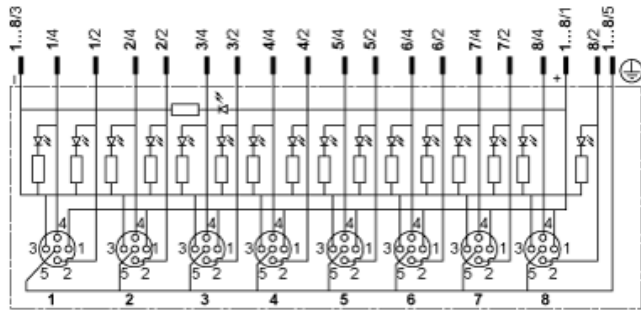
Contractual warranty

| | |
|----------|-----------|
| Warranty | 18 months |
|----------|-----------|

Dimensions



Wiring Diagram



| Item | M23 connector contact |
|---------------|-----------------------|
| 1/4 | 15 |
| 1/2 | 7 |
| 2/4 | 5 |
| 2/2 | 4 |
| 3/4 | 16 |
| 3/2 | 8 |
| 4/4 | 3 |
| 4/2 | 14 |
| 5/4 | 17 |
| 5/2 | 9 |
| 6/4 | 2 |
| 6/2 | 13 |
| 7/4 | 11 |
| 7/2 | 10 |
| 8/4 | 1 |
| 8/2 | 18 |
| 1, 3, 5 & 7/1 | 19 |
| 2, 4, 6 & 8/1 | 19 |
| 1, 3, 5 & 7/3 | 6 |
| 2, 4, 6 & 8/3 | 6 |
| 1...8/5 | 12 |

M23 Connector

