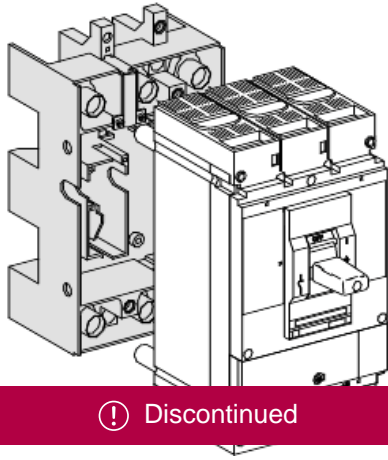


Price* : 46.00 USD



32520 has not been replaced. Please contact your customer care center for more information.

⚠ Discontinued

Main

Range of product	NS400...630 NSJ400...600
Product or component type	Safety trip advanced opening
Accessory / separate part category	Protection accessory
Poles description	3P 4P

Complementary

Mounting mode	Plug-in
---------------	---------

Ordering and shipping details

Category	01103 - H,J,COMPACT NS UL/IEC CIRCUIT BREAKER ACCESSORIES
Discount Schedule	DE2
GTIN	00785901123064
Nbr. of units in pkg.	1
Package weight(Lbs)	1
Returnability	N

Contractual warranty

Warranty period	18 months
-----------------	-----------

Disclaimer: This documentation is not intended as a substitute for and is not to be used for determining suitability or reliability of these products for specific user applications