

# Product data sheet

## Characteristics

# 171CBU98091

## Unity M1E processor - RS232/485 - Ethernet - USB - I/O bus - global data

Product availability : Stock - Normally stocked in distribution facility



Price\* : 1,600.00 USD



### Main

Range of product	Modicon Momentum automation platform
Product or component type	Processor
Product compatibility	Modicon STB I/O
Integrated connection type	Ethernet USB port

### Complementary

Concept	Transparent Ready class B
Web services	Ethernet statistics Home pages CPU status Properties Bandwidth monitoring
Software designation	Unity Pro
Communication service	Modbus messaging 125 words, 200 I/O message per second Global Data, 2200 I/O message per second Modbus TCP I/O Scanner and Messaging
Processor name	Spear 320s
Word length	32 bit
Supply voltage limits	4.75...5.25 V
Clock frequency	333 MHz
Topology	Star Modbus TCP Multidrop Modbus
Communication port protocol	Modbus RS485/RS232 1 RJ45 19200 bps 2-wire Modbus TCP Ethernet 1 RJ45 10/100 Mbps twisted shielded pairs cable CAT 5E UTP
Method of access	Master/slave Client/server
Control parameter	CRC-16 for Modbus CRC-32 for Modbus TCP/IP

Addressing	1...247 Modbus Unique IEEE global address Modbus TCP
Fail state	Safe I/O mode
Memory description	Program memory IEC 3584 kB Program memory LL984 3584 kB
Register words	26048
I/O limit processor capacity	2048 inputs/2048 outputs
Number of devices	32 Modbus
Exact time for 1 Kinstruction	83 ns
Local signalling	1 LED red I/O module fault (I/O) 1 LED yellow channel 0 operating (CH0) 1 LED green data rate (ETH 100) 1 LED green processor running (RUN) 1 LED green status of Ethernet network (ETH STS) 1 LED red processor or system fault (ERR) 1 LED green data rate (ETH LINK)
Marking	CE
Current consumption	500 mA at 5 V DC
Module format	Standard
Product mounting	35 mm symmetrical DIN rail
Height	2.39 in (60.6 mm)
Width	5.67 in (144 mm)
Depth	2.11 in (53.47 mm)
Product weight	0.36 lb(US) (0.163 kg)

## Environment

Material	Lexan
Dielectric strength	0 V not isolated RS485/RS232 5000 V for 1 minute Ethernet
Product certifications	C-Tick FM
Standards	CSA C22.2 No 142 EN/IEC 61131-2 UL 508
IP degree of protection	IP20
Shock resistance	15 gn during 11 ms sinusoidal vibrations
Resistance to electrostatic discharge	6 kV contact conforming to[pace]EN/IEC 61131-2 zone B 6 kV contact conforming to[pace]IACS E10 8 kV on air conforming to[pace]EN/IEC 61000-4-2
Resistance to electromagnetic fields	15 V/m 80...2700 MHz conforming to[pace]EN/IEC 61000-4-3
Ambient air temperature for operation	32...140 °F (0...60 °C)
Ambient air temperature for storage	-40...185 °F (-40...85 °C)
Relative humidity	5...96 %
Operating altitude	<= 6561.68 ft (2000 m)

## Ordering and shipping details

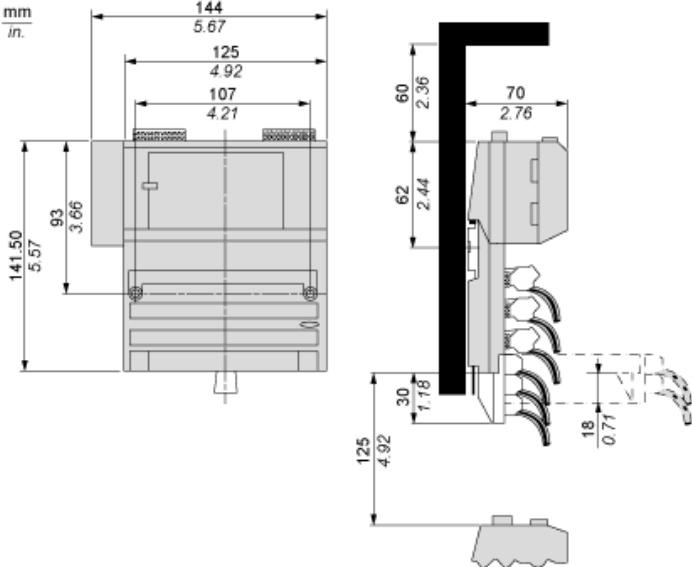
Category	18206 - MOMENTUM PROCESSORS,I/O BASES,CONN.
Discount Schedule	PC31
GTIN	00785901860921
Nbr. of units in pkg.	1
Package weight(Lbs)	0.5100000000000001
Returnability	Y
Country of origin	FR

## Offer Sustainability

Sustainable offer status	Green Premium product
--------------------------	-----------------------

RoHS (date code: YYWW)	Compliant - since 1623 - Schneider Electric declaration of conformity <a href="#">Schneider Electric declaration of conformity</a>
REACH	Reference not containing SVHC above the threshold <a href="#">Reference not containing SVHC above the threshold</a>
Product environmental profile	Available
Product end of life instructions	Available
California proposition 65	WARNING: This product can expose you to chemicals including:
- - - - - Substance 1	Lead and lead compounds, which is known to the State of California to cause cancer and birth defects or other reproductive harm.
- - - - - More information	For more information go to <a href="http://www.p65warnings.ca.gov">www.p65warnings.ca.gov</a>

Processor and Option Adapter on a Typical Base



---

Mounting on a Wall

---

