

Product availability : Non-Stock - Not normally stocked in distribution facility



Price* : 1,963.05 USD



Main

Range of product	Modicon Quantum automation platform
Product or component type	Relay discrete output module
Discrete output number	16

Complementary

Contacts type and composition	1 NO
Contact form	Form A
Discrete output voltage	20...250 V AC 30...150 V DC 5...30 V DC
Addressing requirement	1 output word
Minimum load	>= 50 mA 20...250 V AC >= 50 mA 5...30 V DC
Maximum load current	1 A 250/30 V AC/DC 1/8 hp cos phi = 0.4 1 A 250/30 V AC/DC tungsten 2 A 250/30 V AC/DC resistive at 140 °F (60 °C) 300 mA 30...50 V DC resistive
Surge current	<= 10 A for 10 ms capacitive
Switching capacity in VA	500 VA resistive
Response time on input open	<= 10 ms at state 0 to state 1 <= 20 ms at state 1 to state 0
Mechanical durability	10000000 cycles
Electrical durability	100000 cycles 100 mA 30...150 V DC L/R = 10 ms 100000 cycles 2 A 30 V DC resistive 100000 cycles 30...150 V DC interposing relay 100000 cycles 300 mA 30...150 V DC resistive 200000 cycles 2 A 250 V AC resistive 50000 cycles 500 mA 30...150 V DC resistive
Output overvoltage protection	Internal by varistor, 275 V

Disclaimer: This documentation is not intended as a substitute for and is not to be used for determining suitability or reliability of these products for specific user applications.

Isolation between channels	1780 Vrms AC for 1 minute
Isolation between channels and bus	1780 Vrms AC for 1 minute 2500 V DC for 1 minute
Power dissipation	5.5 W + (0.5 x the number of points on)
Marking	CE
Local signalling	1 LED green bus communication is present (Active) 1 LED red external fault detected (F) 16 LEDs green input status
Bus current requirement	1100 mA
Module format	Standard
Product weight	0.9 lb(US) (0.41 kg)

Environment

Protective treatment	Conformal coating Humiseal 1A33
Product certifications	ABS C-Tick FM Class 1 Division 2 GOST
Standards	CSA C22.2 No 142 UL 508
Resistance to electrostatic discharge	4 kV contact conforming to IEC 801-2 8 kV on air conforming to IEC 801-2
Resistance to electromagnetic fields	9.14 V/yd (10 V/m) 80...2000 MHz conforming to IEC 801-3
Ambient air temperature for operation	32...140 °F (0...60 °C)
Ambient air temperature for storage	-40...185 °F (-40...85 °C)
Relative humidity	95 % without condensation
Operating altitude	<= 16404.2 ft (5000 m)

Ordering and shipping details

Category	18155 - QUANTUM I/O & POWER SUPPLIES
Discount Schedule	PC21
GTIN	00785901714392
Nbr. of units in pkg.	1
Package weight(Lbs)	2.21
Returnability	N
Country of origin	CN

Offer Sustainability

Sustainable offer status	Green Premium product
RoHS (date code: YYWW)	Compliant - since 1001 - Schneider Electric declaration of conformity Schneider Electric declaration of conformity
REACH	Reference not containing SVHC above the threshold Reference not containing SVHC above the threshold
Product environmental profile	Available
Product end of life instructions	Available
California proposition 65	WARNING: This product can expose you to chemicals including:
----- Substance 1	Lead and lead compounds which is known to the State of California to cause cancer and birth defects or other reproductive harm.
----- More information	For more information go to www.p65warnings.ca.gov

Contractual warranty

Warranty period	18 months
-----------------	-----------

Racks for Modules Mounting

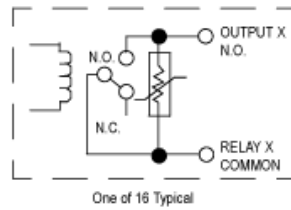
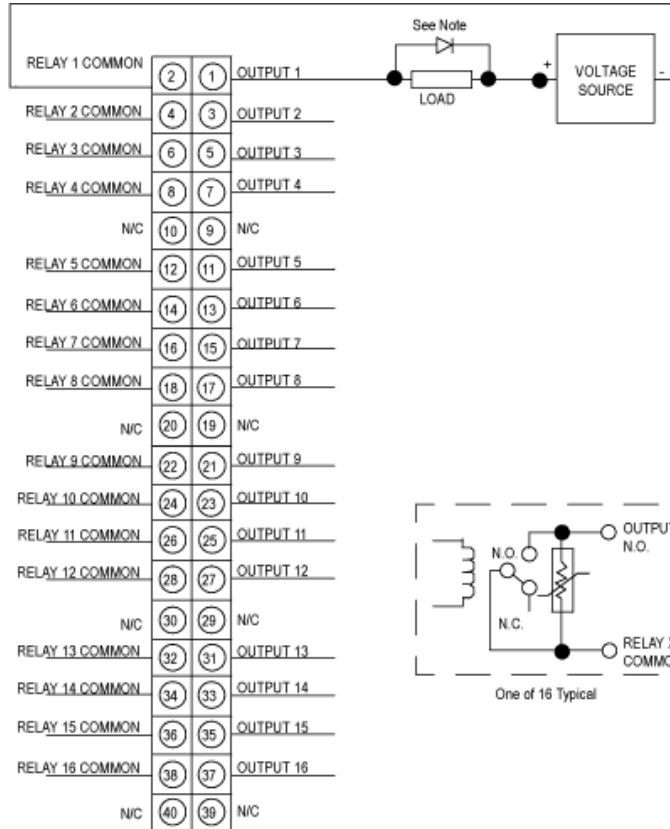
Dimensions of Modules and Racks



- (1) 2 slots
- (2) 3 slots
- (3) 4 slots
- (4) 6 slots
- (5) 10 slots
- (6) 16 slots

Relay Output Normally Open Module

Wiring Diagram



N/C Not Connected
N.O. Normally Open
N.C. Normally Closed